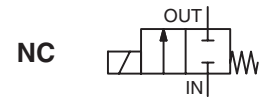




SOLENOID VALVES

direct operated
for low pressure gaseous fluids
1/8 to 3/4



2/2
Series
040

FEATURES

- Aluminium bodied low pressure valves designed to provide maximum flow
- Solenoid valves for gas pilot control on industrial power boilers and low pressure air and gas control on gas-fired ovens and furnaces
- Direct lift solenoid valves have a resilient soft seating for absolute tight shut-off on low pressures
- The solenoid valves do not require a minimum operating pressure
- Downstream tap for leak check purpose
- The solenoid valves satisfy all relevant EC Directives

GENERAL

Differential pressure See «SPECIFICATIONS» [1 bar =100 kPa]
Response time 5 - 40 ms

fluids (*)	temperature range (TS)	seal materials (*)
air, gas	-40°C to +90°C	NBR (nitrile)



MATERIALS IN CONTACT WITH FLUID

(*) Ensure that the compatibility of the fluids in contact with the materials is verified

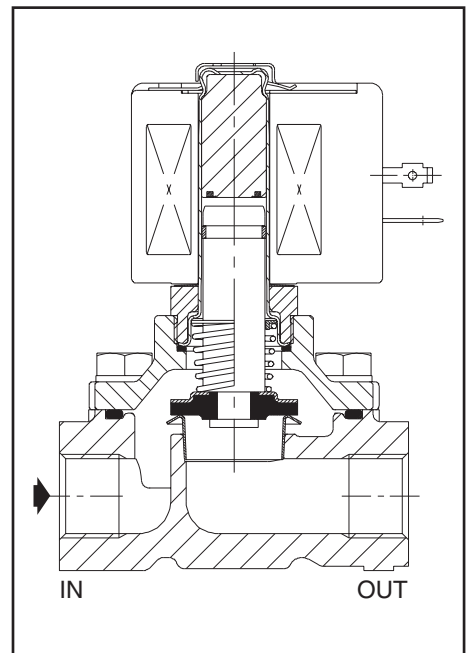
Body	Aluminium
Core tube	Stainless steel
Core and plugnut	Stainless steel
Springs	Stainless steel
Seat	Aluminium
Seal	NBR
Disc	NBR (low temperature)
Riderring	PTFE
Core guide	POM
Shading coil	Copper

ELECTRICAL CHARACTERISTICS

Coil insulation class F
Connector Spade plug (cable Ø 6-10 mm)
Connector specification ISO 4400 / EN 175301-803, form A
Electrical safety IEC 335
Electrical enclosure protection Moulded IP65 (EN 60529)
Standard voltages AC (~) : 24V - 48V - 115V - 230V / 50 Hz
(Other voltages and 60 Hz on request)

prefix option	power ratings				operator ambient temperature range (TS) (C°)	replacement coil		type (1)
	inrush ~	holding ~		hot/cold =		~	=	
		(VA)	(VA)					
SC	34	15,6	6	-	-40 to +75	400325-117	-	01
	55	23	10,5	-	-40 to +75	400425-117	-	02

(1) Refer to the dimensional drawings on the following page.



SPECIFICATIONS

pipe size	orifice size	flow coefficient Kv		operating pressure differential (bar)				power coil (W)		catalogue number
				min.	max. (PS)		air/gas (*)			
					~	=				
NPT	(mm)	(m³/h)	(l/min)					~	=	~
NC - Normally closed										
1/8	9	0,9	15	0	1	-	6	-	-	SCB040H006
1/4	9	0,9	15	0	1	-	6	-	-	SCB040H007
3/8	9	1	16,7	0	1	-	6	-	-	SCB040H008
3/8	19	3,3	55	0	0,15	-	10,5	-	-	SCB040A021
1/2	19	4,6	76,7	0	0,15	-	10,5	-	-	SCB040A022
3/4	19	8,1	135	0	0,15	-	10,5	-	-	SCB040A023

OPTIONS

- Waterproof enclosure with embedded screw terminal coil according to protection class IP67, CEE-10
- Explosionproof enclosures for use in zones 1/21-2/22, categories 2-3 to ATEX Directive 94/9/EC (see "Explosionproof solenoids" section)
- Electrical enclosures according to "NEMA" standards are available
- Mounting brackets, suffix MB
- Other pipe connections are available on request
- Plug with visual indication and peak voltage suppression or with cable length of 2 m (see Solenoids, Coils & Accessories section)

INSTALLATION

- The solenoid valves can be mounted in any position without affecting operation
- Solenoid valves have 2 mounting holes in body
- Pipe connection identifier is B = NPT (ANSI 1.20.3)
- Installation/maintenance instructions are included with each valve

SPARE PARTS KIT

catalogue number	spare parts kit no.	
	~	=
SCB040H006/H007/H008	C314692	-
SCB040A021/A022/A023	C306633	-

- Not available.

ORDERING EXAMPLES:

SC	B	040	H	006	230V / 50 Hz
SC	B	040	A	021	115V / 50 Hz

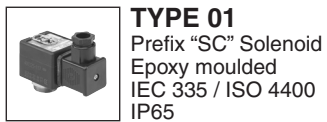
prefix — SC
 pipe thread — B
 basic number — 040
 suffix — H 006 / A 021
 voltage — 230V / 50 Hz / 115V / 50 Hz

ORDERING EXAMPLES KITS:

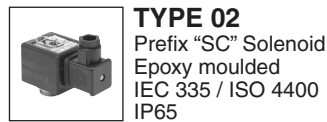
C306633

basic number — C306633

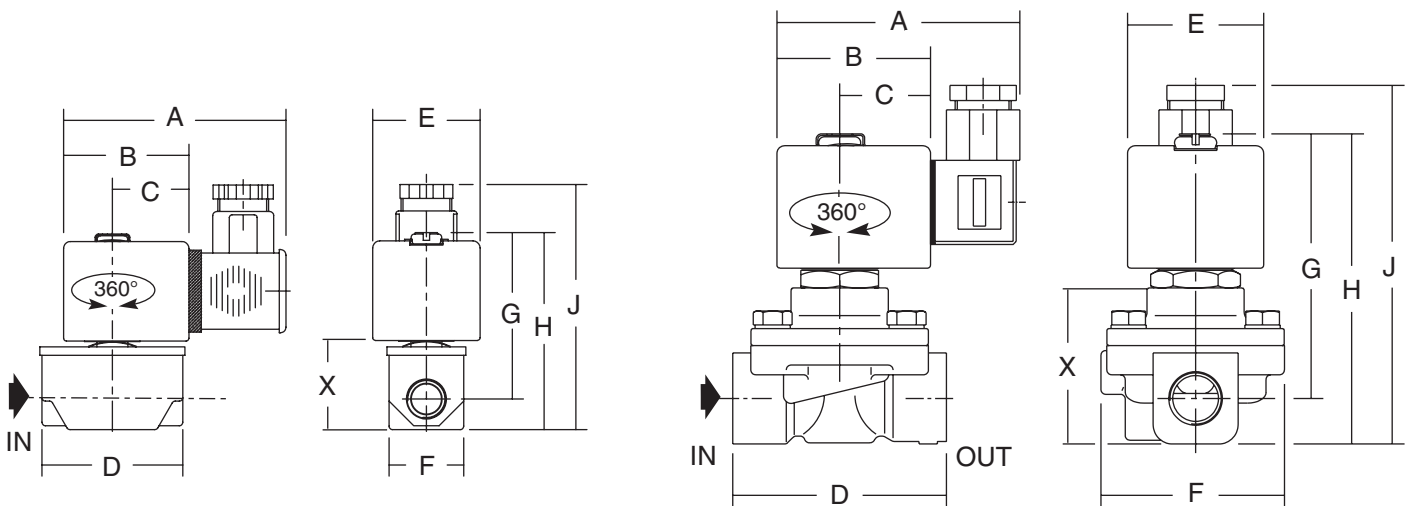
DIMENSIONS (mm), WEIGHT (kg)



Type 01: SCB040H006/H007/H008



Type 02: SCB040A021/A022/A023



type	prefix option	catalogue number	A	B	C	D	E	F	G	H	J	X	weight ⁽¹⁾
01	SC	SCB040H006/H007/H008	75	45	27	48	39	48	68	81	98	23	0,4
02	SC	SCB040A021/A022	80	50	30	70	45	58	88	102	119	51	0,6
		SCB040A023	80	50	30	84	45	58	92	112	129	55	0,7