

FEATURES

- Explosionproof operator for use in potentially explosive atmospheres according to ATEX-Directive 94/9/EC
EC type examination certificate no.: **LCIE 10 ATEX 3043X**
IECEX Certificate of Conformity no.: **IECEX LCI 10.0010X**
- Compliance with the Essential Health and Safety Requirements has been assured by compliance with the International and European Standards IEC and EN: 60079-0, 60079-1 and 60079-31
- Easy electrical installation by means of a screw terminal coil
- Enclosure provided with a 1/2 NPT threaded entry hole for a broad range of cable entries
- A wide range of valves can be supplied with the CNOMO size 30 solenoid pilot interface

GENERAL

| | |
|-----------------------|---------------------------------------|
| Differential pressure | See «SPECIFICATIONS» [1 bar =100 kPa] |
| Flow | See «SPECIFICATIONS» |
| Pneumatic base | ISO 15218 (CNOMO E06.05.80, size 30) |
| Response time | 70 - 140 ms |

| fluids (*) | temperature range (TS) | seal materials (*) |
|------------------|------------------------|--|
| air or inert gas | - 25°C to +60°C | NBR (nitrile) FPM (fluoroelastomer) VMQ (silicone) |

GENERAL

| | |
|--------------------|--|
| Solenoid enclosure | Aluminium, cataphoresis black painting |
| Cover screws | Stainless steel |
| Nameplate | Aluminium |

| MATERIALS IN CONTACT WITH FLUID | |
|---|---------------------------|
| (*) Ensure that the compatibility of the fluids in contact with the materials is verified | |
| Body | Aluminium, black painting |
| Core, core tube and plugnut | Stainless steel |
| Springs | Stainless steel |
| Seals | VMQ |
| Upper disc | FPM |
| Lower disc | NBR |

SAFETY CODE

| | |
|------|--------------------------------------|
| Gas | II2G Ex d IIB+H2 Gb T6..T4 |
| Dust | II2D Ex t IIIC Db T85°C..T135°C IP67 |

ELECTRICAL CHARACTERISTICS

| | |
|---------------------------------|--|
| Coil insulation class | F |
| Coil connection | Embedded screw terminals |
| Electrical enclosure protection | IP67 (EN 60529) |
| Standard voltages | DC (=): 24V - 48V |
| (Other voltages on request) | AC (~): 24V - 48V - 115V - 230V/50-60 Hz |

TEMPERATURE CLASSIFICATION TABLES

| AC solenoids (~) | | | | | | |
|--------------------------------------|------------------------|----|---------------------|-------------|-------------|---------------------------|
| Un (V) | Pn (2)(3) (watt) | Mg | solenoid size | | | maximum ambient °C (1)(4) |
| | | | surface temperature | | | T4 135°C |
| | | | T6 85°C | T5 100°C | T4 135°C | |
| insulation class F (155°C) 100% E.D. | | | | | | |
| 24 | 5,4 | ● | 40 | - | 60 | |
| 48 | 5,8 | ● | 40 | - | 60 | |
| 115 | 7,1 | ● | - | 40 | 60 | |
| 230 | 7,4 | ● | - | 40 | 60 | |

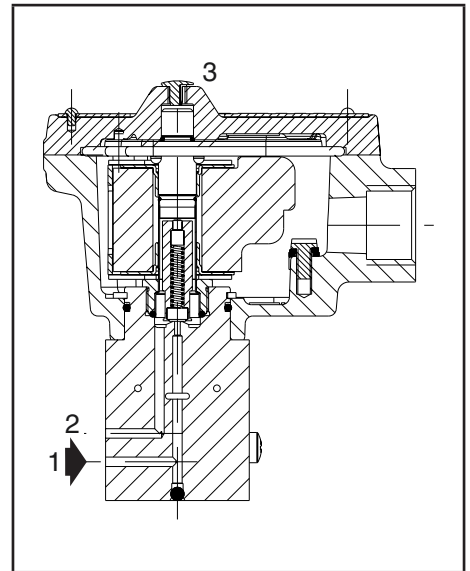
| DC solenoids (=) | | | | | | |
|--------------------------------------|--------------|---------|---------------------|-------------|-------------|---------------------------|
| Un (V) | Pn (watt) | Mg | solenoid size | | | maximum ambient °C (1)(4) |
| | | | surface temperature | | | T4 135°C |
| | | | T6 85°C | T5 100°C | T4 135°C | |
| insulation class F (155°C) 100% E.D. | | | | | | |
| 24 | 5,9 | 7,5 (3) | ● | - | 40 | 60 |
| 48 | 6 | 7,6 (3) | ● | - | 40 | 60 |

(1) The minimum allowable ambient temperature is -25°C for the operator. Actual temperature range can be limited depending on valve operation limits.

(2) Rectified coil construction.

(3) Maximum cold wattage.

(4) For the layout of the control circuit, see the installation and maintenance instructions at: www.asconumatics.eu

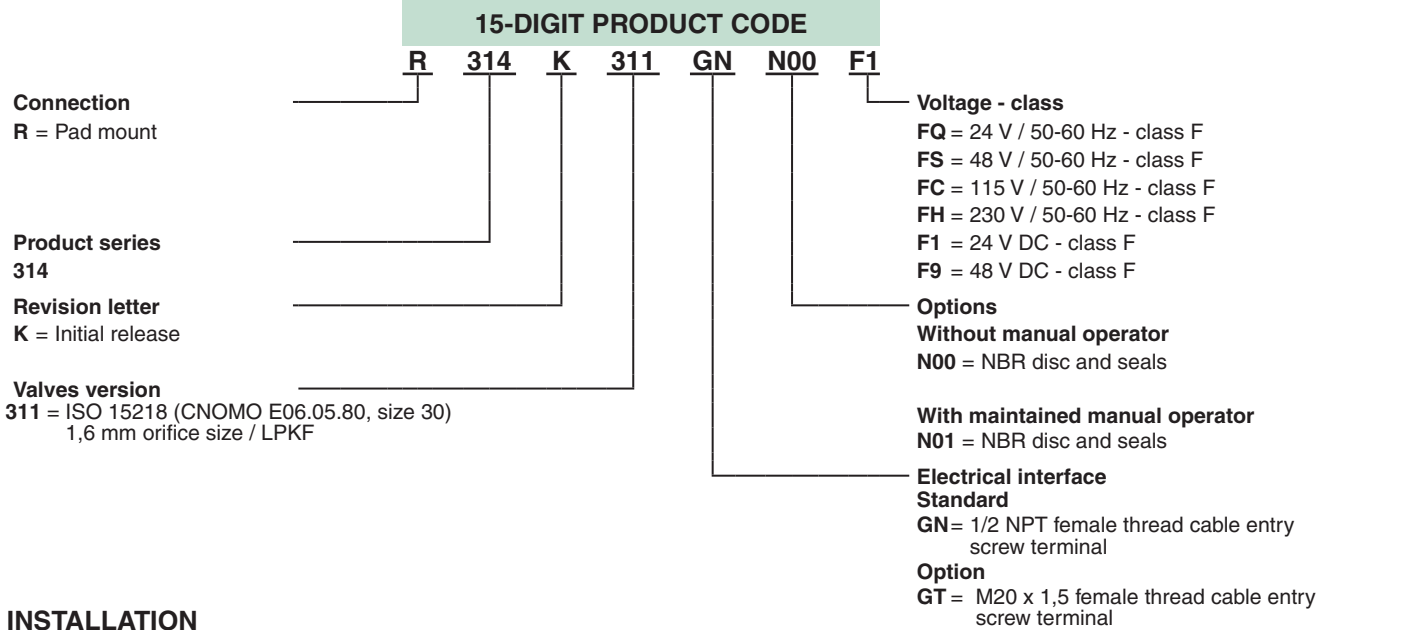


SPECIFICATIONS

| pipe size | orifice size (mm) | flow coefficient Kv | | | | operating pressure differential (bar) | | | | thread type | dimensions / type (1) | 15-DIGIT PRODUCT CODE | | | | | | |
|--|----------------------|---------------------|---------|--------|---------|---------------------------------------|--------------------|----|-----------|-------------|-----------------------|-----------------------|--------------|------------|-------------|-------------|-----------|---------|
| | | 1 → 2 | | 2 → 3 | | min. | max. (PS) | | | | | brass | voltage code | | | | | |
| | | (m³/h) | (l/min) | (m³/h) | (l/min) | | air, inert gas (*) | | | | | | 24 V/50 Hz | 48 V/50 Hz | 115 V/50 Hz | 230 V/50 Hz | 24 V/DC | 48 V/DC |
| | | ~ | = | | | | | | | | | | | | | | | |
| WITHOUT MANUAL OPERATOR | | | | | | | | | | | | | | | | | | |
| NC - Normally closed, NBR seal and disc | | | | | | | | | | | | | | | | | | |
| 1/4 | 1,6 | 0,08 | 1,3 | 0,05 | 0,8 | 0 | 10 | 10 | pad mount | 01 | R314K311GNN00 | FQ | FS | FC | FH | F1 | F9 | |
| WITH MAINTAINED MANUAL OPERATOR | | | | | | | | | | | | | | | | | | |
| NC - Normally closed, NBR seal and disc | | | | | | | | | | | | | | | | | | |
| 1/4 | 1,6 | 0,08 | 1,3 | 0,05 | 0,8 | 0 | 10 | 10 | pad mount | 01 | R314K311GNN01 | FQ | FS | FC | FH | F1 | F9 | |

(1) For dimensions, see drawing(s) for each construction type on the following page(s).

(*) Ensure that the compatibility of the fluids in contact with the materials is verified.



INSTALLATION

- The solenoid valves can be mounted in any position without affecting operation
- The solenoid valves are supplied with mounting screws
- Mounting on valve or single, non-joinable subbase with ISO 15218 (CNOMO, size 30) interface
- Installation/maintenance instructions are included with each valve

OPERATOR CONNECTION

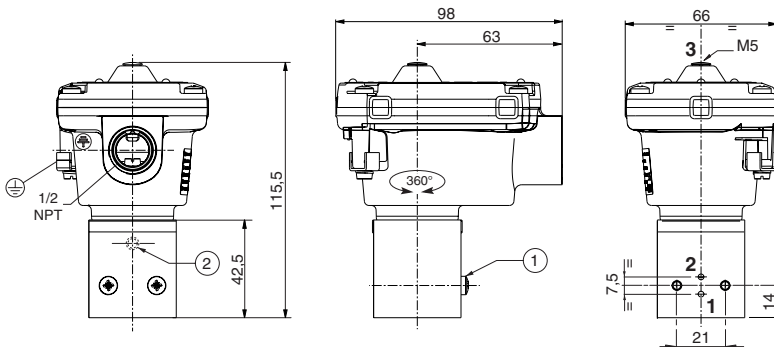
- Any ATEX approved cable entry device can be fitted in the 1/2" NPT threaded entry hole (M20 x 1.5, in option); supplied without cable gland
- Internal and external earthing connection
- The operator can be rotated through 360° to select the most favourable position for cable entry

DIMENSIONS (mm), WEIGHT (kg)



TYPE 01

Electrical interface "GN"
 IEC, EN: 60079-1, 61241-1
 II2G Ex d IIB+H2 Gb T6..T4
 II2D Ex t IIIC Db IP67 T85°C..T135°C



| type | weight (2) |
|------|------------|
| 01 | 0,7 |

- ① Mounting: two screws M4 x 35
 ② Manual operator location

(2) Without cable gland.