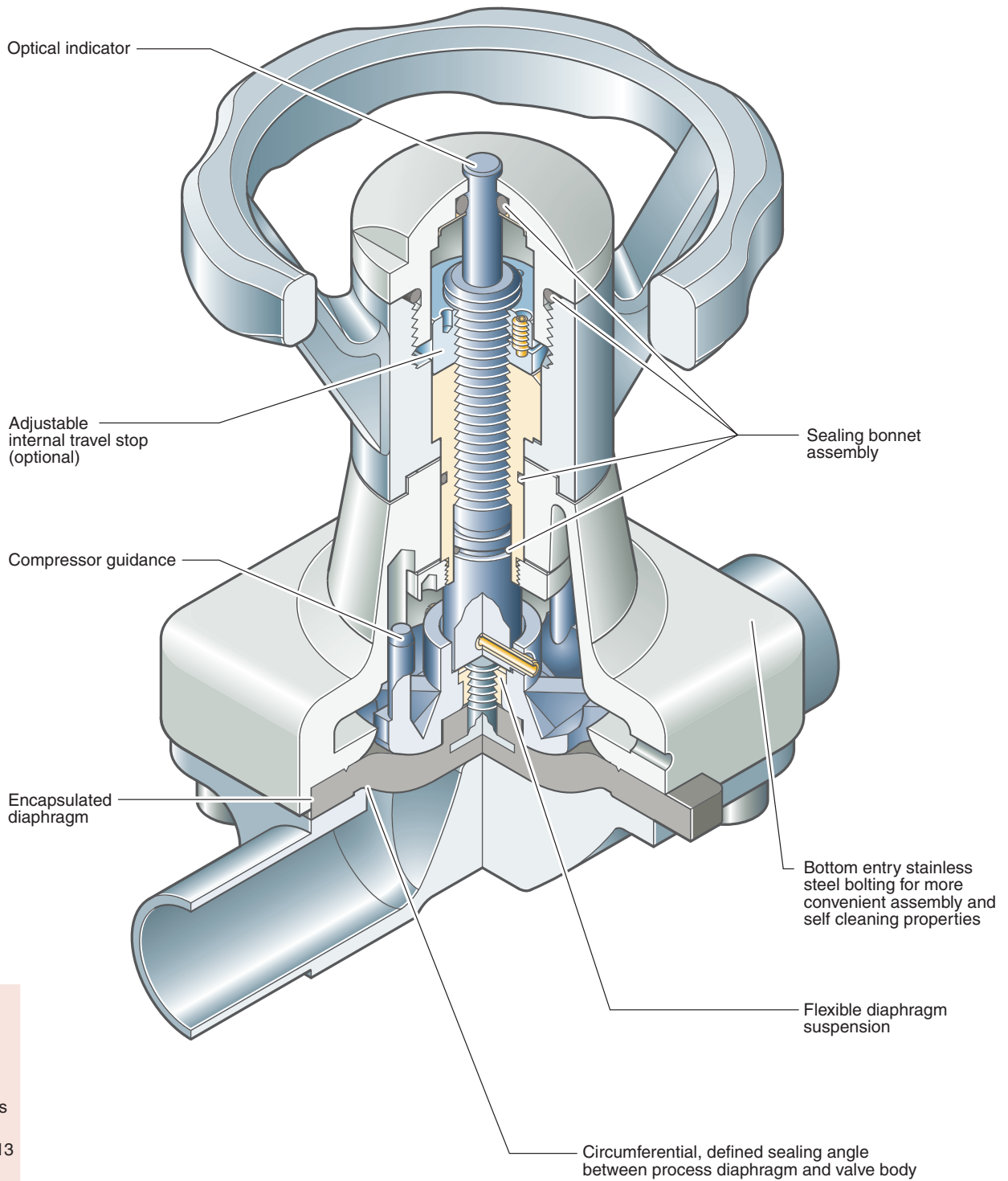


Steripur 997

Manual Valve DN 15 - 100 mm (1/2" - 4")



Butt weld ends
MA 25 - 100
Fold out page 13

Steripur 997

Manual Valve DN 15 - 100 mm (1/2" - 4")



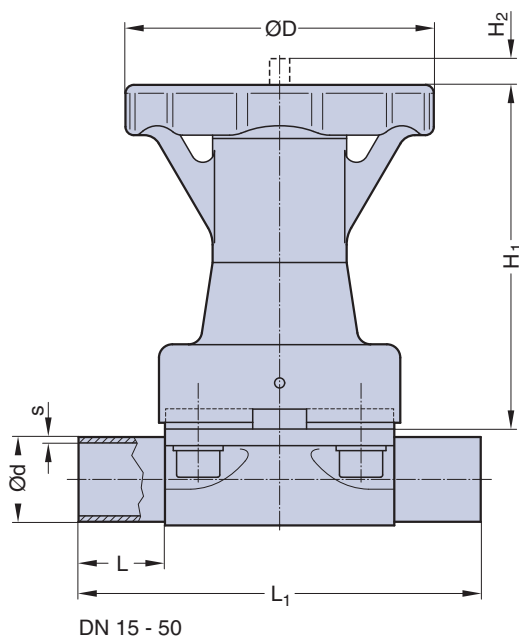
DN 15 - 50

Features

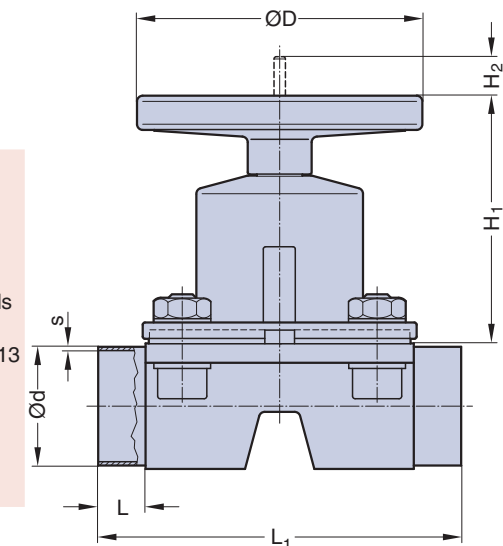
- Stainless steel bonnet and hand wheel
- Non rising hand wheel with optical indicator
- Sealed bonnet
- Autoclavable
- Circumferential, defined sealing angle between process diaphragm and valve body
- Flexible diaphragm suspension
- Encapsulated diaphragm

Optional

- Adjustable internal travel stop or stroke limiter



DN 15 - 50



DN 65 - 100

Technical Data

- Control function: Manually operated
 Max. working pressure: 10 bar (150 psi)
 DN 65-100 diaphragm PTFE 8 bar (120 psi)
 Max. working temperature: 175°C (350°F) dependent on application
 Diaphragm material: EPDM or PTFE
 Valve body material: Forged 1.4435/ 316L ASME/BPE
 Investment cast 1.4435/ 316L
 Other Alloys
- End connection: Butt weld ends see fold out page 13
 Clamps and flanges see page 14 and 15
 Special ends
- Bonnets suitable for: Two-Way bodies
 Welded configurations
 T- bodies
 Multiport bodies
 Tank bottom bodies
- Flow rate: Kv in m³/h (Cv in GPM) see page 7
 Diaphragm size: MA see table

DN (mm)	Dimensions (mm)					
	MA	L	L ₁	H ₁	H ₂	D
15-25	25	25	120	103	10	92
32-40	40	25	153	135	17	135
50	50	30	173	135	24	135
65	80	30	216	180	38	198
80	80	30	254	180	38	198
100	100	30	305	220	50	252

Butt weld ends
 MA 25 - 100
 Fold out page 13