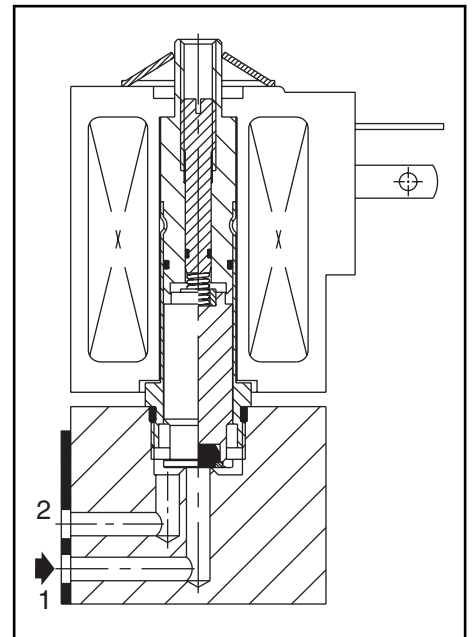
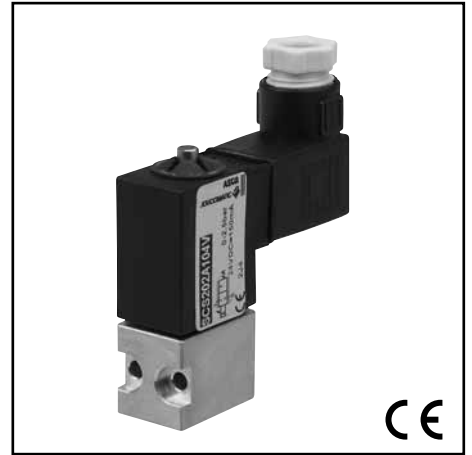
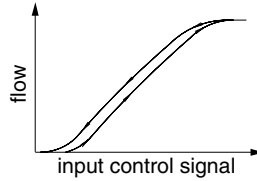


FEATURES

- Proportional solenoid valves for mounting on single subbase with threaded M5 port connections
- Variable flow, proportional to the control signal
- Valves do not require a minimum operating pressure
- Valves can be mounted in any position
- The solenoid valves satisfy all relevant EC directives



GENERAL

Differential pressure See "SPECIFICATIONS" [1 bar = 100 kPa]

fluids (*)	temperature range (TS)	seal materials (*)
air, inert gas	0°C to + 60°C	FPM (fluoroelastomer)

MATERIALS IN CONTACT WITH FLUID

(*) Ensure that the compatibility of the fluids in contact with the materials is verified

Body	Brass
Core tube	Brass
Core and plugnut	Stainless steel
Springs	Stainless steel
Seat	Brass
Seals	FPM

ELECTRICAL CHARACTERISTICS

Coil insulation class	F
Connector	Spade plug (cable Ø 4-6 mm)
Connector specification	DIN 43650, 9,4 mm, industry standard B
Electrical safety	IEC 335
Electrical enclosure protection	Moulded IP65 (EN 60529)
Standard voltages ⁽²⁾	DC (=) : 12V, 24V (Other voltages on request)

prefix option	voltage (V) =	operating current (mA)	power ratings			operator ambient temperature range (TS) ⁽²⁾ (C°)	type ⁽¹⁾
			inrush ~ (VA)	holding ~ (VA)	hot/cold = (W)		
SC	12	max. 175	-	-	-	0 to + 60	01
	24	max. 125	-	-	3 / 2,6		

Voltage regulation ⁽³⁾ 0 - 24 V DC
24 V DC pulse width modulated (1000 Hz)

Flow regulation characteristic ⁽²⁾ Hysteresis < 5% ; Repeatability < 3% ; Sensitivity < 2%

SPECIFICATIONS

pipe size	orifice size (mm)	flow coefficient Kv (m³/h) (l/min)		operating pressure differential (bar)			power coil (W)	catalogue number (=)
				min.	max. (PS)			
					vacuum	air (*)		
NC - Normally closed, pad mounting body (solenoid valve alone)								
à applique	0,8	0,02	0,3	0	1	12	2,6	SCS202A101V
	1,2	0,05	0,8	0	1	7	2,6	SCS202A102V
	1,6	0,08	1,3	0	1	4	2,6	SCS202A103V
	2	0,1	1,7	0	1	2,5	2,6	SCS202A104V
NC - Normally closed, pad mounting body, solenoid valve with M5 subbase ⁽⁴⁾								
M5	0,8	0,02	0,3	0	1	12	2,6	SCE202A105V
	1,2	0,05	0,8	0	1	7	2,6	SCE202A106V
	1,6	0,08	1,3	0	1	4	2,6	SCE202A107V
	2	0,1	1,7	0	1	2,5	2,6	SCE202A108V

(1) Refer to the dimensional drawings on the following page.

(2) Percentage of max value with 24 V DC, P.W.M. 1000 Hz.

(3) For electronic proportional control unit, please contact us.

(4) Solenoid valve supplied with single subbase with threaded M5 port connections, catalogue number 30300001 .

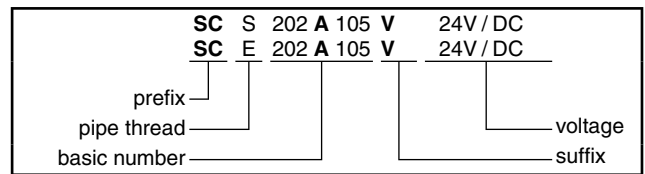
OPTIONS

- Solenoid operators for use in zone 22, category 3, to ATEX Directive 94/9/EC, on request
- Electronic proportional control unit (catalogue number: **E908A004**, see V150)
 - analog input control signals: 0 - 10 V DC, 0 - 20 mA or 4 - 20 mA
 - coil current (= flow rate) adjustable to required control signals
 - switch-off function at less than 2% of maximum input control signal
 - adjustable ramp control
 - adjustable frequency
 - output current independent of coil resistance (temperature) and supply voltage variations
- Other pipe connections are available on request

INSTALLATION

- The valves can be mounted in any position without affecting operation
- For details on single subbase with threaded M5 port connections, catalogue number **30300001**, contact us
- Installation/maintenance instructions are included with each valve

ORDERING EXAMPLES:



DIMENSIONS (mm), WEIGHT (kg)

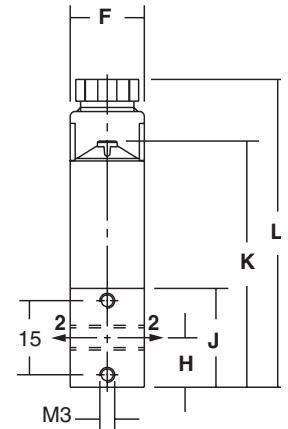
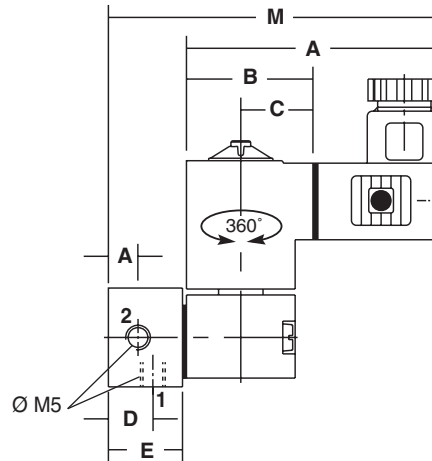
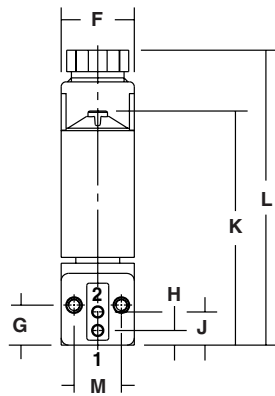
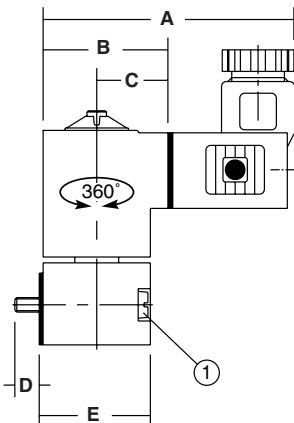


TYPE 01

Prefix "SC" solenoid
Epoxy moulded
IEC 335 / DIN 43650
IP65

SCS202A101V/102V/103V/104V

SCE202A105V/106V/107V/108V



① 2 M3 x 25 mounting screws

type	prefix option	catalogue number	A	B	C	D	E	F	G	H	J	K	L	M	weight ⁽¹⁾
01	SC	SCS202A101V/102V/103V/104V	53	25,6	14,8	5	22,8	15	8,2	3	6,8	48	61	9,7	0,95
		SCE202A105V/106V/107V/108V	53	25,6	14,8	9	15	15	6	10	20	52	65	68	1,25 ⁽²⁾

⁽¹⁾ Incl. coil and connector

⁽²⁾ with subbase

All leaflets are available on: www.asconumatics.eu