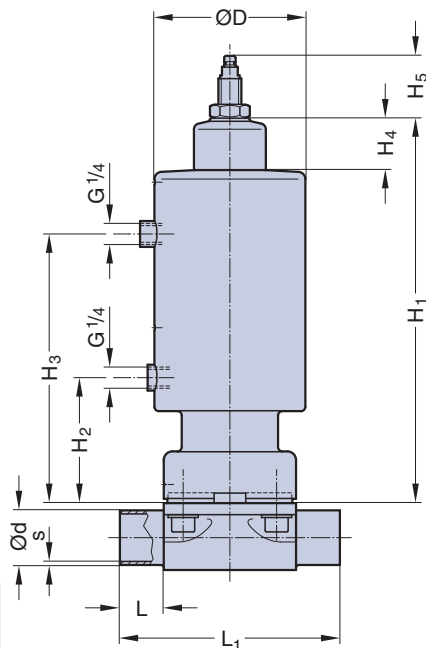


Steripur 592

Pneumatically Operated Valve DN 15 - 50 mm (1/2" - 2")



DN 50 Cf. 4



Butt weld ends
MA 25 - 100
Fold out page 13

Features

- Two stage stainless steel actuator
- Second position adjustable with reduced flow for filling
- Compact design, the outside diameter of the actuator is the same size as the bonnet flange
- Advantages in multiport bodies and manifold valve assemblies
- Control air connection in flow direction
- Circumferential, defined sealing angle between process diaphragm and valve body
- Flexible diaphragm suspension
- Encapsulated diaphragm
- Clean and polished exterior design ideal for sterile wash downs
- Optical indicator

Optional

- Available with a wide range of control equipment and accessories see page 57 to 62, also for retrofitting
- Control air connection 90° to flow direction
- Autoclavable

Technical Data

Control function (Cf.): Pneumatically operated
Normally closed (NC): Cf. 1 & 4

Direction

Control connection: At Cf. 4 in flow direction, standard
At Cf. 1, 90° to flow direction

Max. working pressure: Unidirectional ($\Delta p = 100\%$)

Diaphragm	DN 15 - 50 (2")
EPDM	10 bar (150 psi)
PTFE	8 bar (120 psi)

Higher working pressure may be achieved with different actuator.
Please contact us for working pressure above the indicated maximum.

Max. working temperature: 160°C (320°F) dependent on application

Control pressure: Cf. 1 & 4 5 - 8 bar (70 - 120 psi)

Diaphragm material: EPDM or PTFE

Valve body material: Forged 1.4435/ 316 L ASME/BPE
Investment cast 1.4435/ 316 L

Other alloys

End connection: Butt weld ends see fold out page 13
Clamps and flanges see page 14 and 15
Special ends

Actuators suitable for: Two-Way bodies
Welded configurations
T-bodies
Multiport bodies
Tank bottom bodies

Flow rate: Kv in m³/h (Cv in GPM) see page 7

Diaphragm size: MA see table below

DN (mm)	Dimensions (mm)									
	MA	L	L ₁	A x B	H ₁	H ₂	H ₃	H ₄	H ₅	D
15-25	25	25	120	73x79	220	66	150	-	35	75
32-40	40	25	153	96x105	250	75	185	28	40	105
50	50	30	173	110x130	294	77	221	28	47	105

Type 592 is also available in MA 10 as type 392.