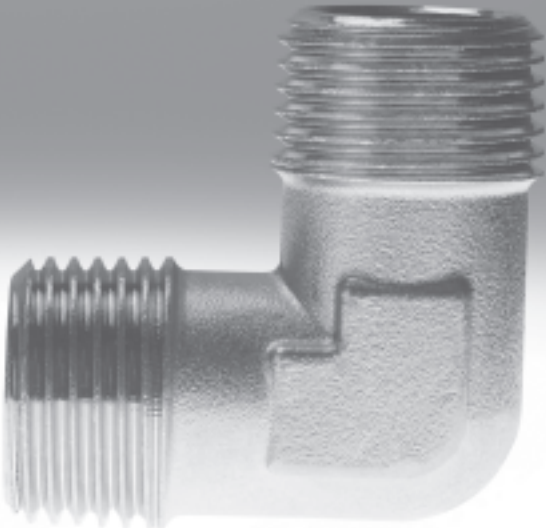




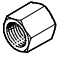




**Threaded fittings**



# Threaded fittings

Product range overview

FESTO







Design	Version	Type	Connection D1			Connection D2			→ Page/ Internet	
			M thread	G thread <sup>1)</sup>	R thread <sup>1)</sup>	M thread	G thread <sup>1)</sup>	R thread <sup>1)</sup>		
Straight type	<b>Blanking plug</b>									
		B	M3	-	-	-	-	-	6	
			M5							
			M7							
			-							G1/8
										G1/4
										G3/8
										G1/2
			G3/4							
			G1							
	<b>Sleeve</b>									
		NPFB-S	M5	-	-	-	-	-	12	
			-							G1/8
										G1/4
										G3/8
			G1/2							
		G3/4								
	QM	M5	-	-	-	-	-	10		
		-							G1/8	
									G1/4	
									G3/8	
									G1/2	
		G3/4								
		G1								
	QM	M5	-	-	M5	-	-	10		
		-			G1/8				-	G1/8
					G1/4					G1/4
					G3/8					G3/8
					G1/2					G1/2
<b>Reducing sleeve</b>										
	NPFB-R	-	G1/8	-	-	-	G3/8	-	12	
			G1/2				G3/4			
	QMR	-	G1/8	-	M5	-	-	-	11	
			G1/4				G1/8			
			G3/8				G1/4			
			G1/2				G3/8			
<b>Extension</b>										
	NPFB-E...	-	G1/8	-	-	-	G1/8	-	13	
			G1/4				G1/4			
			G3/8				G3/8			
			G1/2				G1/2			

1) Sealing of the parallel threaded fittings NPFB with thread sealing tape GWB-0,1 Part No. 9076 is recommended.

# Threaded fittings

Product range overview

FESTO


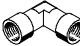
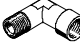


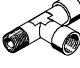
Design	Version	Type	Connection D1			Connection D2			→ Page/ Internet
			M thread	G thread <sup>1)</sup>	R thread <sup>1)</sup>	M thread	G thread <sup>1)</sup>	R thread <sup>1)</sup>	
Straight type	<b>Double nipple</b>								
		NPFB-D	M5	–	–	M5	–	–	14
			M7	–	–	–	G <sup>1</sup> / <sub>8</sub>		
			–	G <sup>1</sup> / <sub>8</sub>	–	–	G <sup>1</sup> / <sub>8</sub> , G <sup>1</sup> / <sub>4</sub> , G <sup>3</sup> / <sub>8</sub>		
			–	G <sup>1</sup> / <sub>4</sub>	–	–	G <sup>1</sup> / <sub>4</sub> , G <sup>3</sup> / <sub>8</sub> , G <sup>1</sup> / <sub>2</sub>		
			–	G <sup>3</sup> / <sub>8</sub>	–	–	G <sup>3</sup> / <sub>8</sub> , G <sup>1</sup> / <sub>2</sub>		
			–	G <sup>1</sup> / <sub>2</sub>	–	–	G <sup>1</sup> / <sub>2</sub>		
			–	–	R <sup>1</sup> / <sub>8</sub>	–	–	R <sup>1</sup> / <sub>8</sub> , R <sup>1</sup> / <sub>4</sub> , R <sup>3</sup> / <sub>8</sub>	
			–	–	R <sup>1</sup> / <sub>4</sub>	–	–	R <sup>1</sup> / <sub>4</sub> , R <sup>3</sup> / <sub>8</sub> , R <sup>1</sup> / <sub>2</sub>	
			–	–	R <sup>3</sup> / <sub>8</sub>	–	–	R <sup>3</sup> / <sub>8</sub> , R <sup>1</sup> / <sub>2</sub>	
			–	–	R <sup>1</sup> / <sub>2</sub>	–	–	R <sup>1</sup> / <sub>2</sub> , R <sup>3</sup> / <sub>4</sub>	
	–	–	R <sup>3</sup> / <sub>4</sub>	–	–	R <sup>3</sup> / <sub>4</sub>			
	–	–	R1	–	–	R1			
		E	M3	–	–	M3	–	–	8
			M5	–	–	M5	G <sup>1</sup> / <sub>8</sub>		
M7			–	–	–	G <sup>1</sup> / <sub>8</sub>			
–			G <sup>1</sup> / <sub>8</sub>	–	–	G <sup>1</sup> / <sub>8</sub> , G <sup>1</sup> / <sub>4</sub> , G <sup>3</sup> / <sub>8</sub>			
–			G <sup>1</sup> / <sub>4</sub>	–	–	G <sup>1</sup> / <sub>4</sub> , G <sup>3</sup> / <sub>8</sub> , G <sup>1</sup> / <sub>2</sub>			
–			G <sup>3</sup> / <sub>8</sub>	–	–	G <sup>3</sup> / <sub>8</sub> , G <sup>1</sup> / <sub>2</sub>			
–			G <sup>1</sup> / <sub>2</sub>	–	–	G <sup>1</sup> / <sub>2</sub> , G <sup>3</sup> / <sub>4</sub>			
–	G <sup>3</sup> / <sub>4</sub>	–	–	G <sup>3</sup> / <sub>4</sub>					
	ESK	–	–	R <sup>1</sup> / <sub>8</sub>	–	–	R <sup>1</sup> / <sub>8</sub> , R <sup>1</sup> / <sub>4</sub> , R <sup>3</sup> / <sub>8</sub>	9	
		–	–	R <sup>1</sup> / <sub>4</sub>	–	–	R <sup>1</sup> / <sub>4</sub> , R <sup>3</sup> / <sub>8</sub> , R <sup>1</sup> / <sub>2</sub>		
		–	–	R <sup>3</sup> / <sub>8</sub>	–	–	R <sup>3</sup> / <sub>8</sub> , R <sup>1</sup> / <sub>2</sub>		
		–	–	R <sup>1</sup> / <sub>2</sub>	–	–	R <sup>1</sup> / <sub>2</sub>		
<b>Reducing nipple – Female thread/male thread</b>									
	NPFB-R	M5	–	–	–	G <sup>1</sup> / <sub>8</sub>	–	15	
		–	G <sup>1</sup> / <sub>8</sub>	–	–	G <sup>1</sup> / <sub>4</sub> , G <sup>3</sup> / <sub>8</sub>			
		–	G <sup>1</sup> / <sub>4</sub>	–	–	G <sup>3</sup> / <sub>8</sub>			
		–	G <sup>3</sup> / <sub>8</sub>	–	–	G <sup>1</sup> / <sub>2</sub>			
<b>Reducing nipple – Male thread/female thread</b>									
	NPFB-R	–	G <sup>1</sup> / <sub>8</sub>	–	M5	–	–	15	
		–	G <sup>1</sup> / <sub>4</sub>	–	–	G <sup>1</sup> / <sub>8</sub>			
		–	G <sup>3</sup> / <sub>8</sub>	–	–	G <sup>1</sup> / <sub>8</sub> , G <sup>1</sup> / <sub>4</sub>			
		–	G <sup>1</sup> / <sub>2</sub>	–	–	G <sup>1</sup> / <sub>4</sub> , G <sup>3</sup> / <sub>8</sub>			
		–	G <sup>3</sup> / <sub>4</sub>	–	–	G <sup>1</sup> / <sub>2</sub>			
	D	M3	–	–	M5	–	–	7	
		M5	–	–	M7	G <sup>1</sup> / <sub>8</sub> , G <sup>1</sup> / <sub>4</sub>			
		M7	–	–	–	G <sup>1</sup> / <sub>8</sub>			
		–	G <sup>1</sup> / <sub>8</sub>	–	–	G <sup>1</sup> / <sub>4</sub> , G <sup>3</sup> / <sub>8</sub>			
		–	G <sup>1</sup> / <sub>4</sub>	–	–	G <sup>3</sup> / <sub>8</sub> , G <sup>1</sup> / <sub>2</sub> , G <sup>3</sup> / <sub>4</sub>			
		–	G <sup>3</sup> / <sub>8</sub>	–	–	G <sup>1</sup> / <sub>2</sub> , G <sup>3</sup> / <sub>4</sub>			
		–	G <sup>1</sup> / <sub>2</sub>	–	–	G <sup>3</sup> / <sub>4</sub> , G1			
		–	G <sup>3</sup> / <sub>4</sub>	–	–	G1			

1) Sealing of the parallel threaded fittings NPFB with thread sealing tape GWB-0,1 Part No. 9076 is recommended.

# Threaded fittings

Product range overview

FESTO

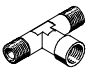
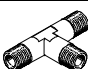
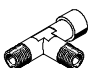


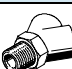


Design	Version	Type	Connection D1			Connection D2			→ Page/ Internet
			M thread	G thread <sup>1)</sup>	R thread <sup>1)</sup>	M thread	G thread <sup>1)</sup>	R thread <sup>1)</sup>	
Straight type	<b>Female bulkhead fitting</b>								
		SCM	M5	–	–	–	–	–	9
			–	G1/8	–	–	–	–	
			–	G1/4	–	–	–	–	
			–	G3/8	–	–	–	–	
–			G1/2	–	–	–	–		
L-shape	<b>Elbow fitting – Female thread</b>								
		NPFB-L	M5	–	–	–	–	–	16
			–	G1/8	–	–	–	–	
			–	G1/4	–	–	–	–	
			–	G3/8	–	–	–	–	
			–	G1/2	–	–	–	–	
			–	G3/4	–	–	–	–	
			–	G1	–	–	–	–	
	<b>Elbow fitting – Male thread/female thread</b>								
		NPFB-L	M5	–	–	M5	–	–	16
			–	G1/8	–	–	R1/8	–	
			–	G1/4	–	–	R1/4	–	
			–	G3/8	–	–	R3/8	–	
–			G1/2	–	–	R1/2	–		
–			G3/4	–	–	R3/4	–		
–			G1	–	–	R1	–		
<b>Elbow fitting – Male thread</b>									
	NPFB-L	M5	–	–	–	–	–	17	
		–	–	R1/8	–	–	–		
		–	–	R1/4	–	–	–		
		–	–	R3/8	–	–	–		
		–	–	R1/2	–	–	–		
		–	–	R3/4	–	–	–		
T-type	<b>T-fitting – Female thread</b>								
		NPFB-T	M5	–	–	–	–	–	17
			–	G1/8	–	–	–	–	
			–	G1/4	–	–	–	–	
			–	G3/8	–	–	–	–	
			–	G1/2	–	–	–	–	
			–	G3/4	–	–	–	–	
	<b>T-fitting – Female thread/male thread/female thread</b>								
		NPFB-T	M5	–	–	M5	–	–	18
			–	G1/8	–	–	R1/8	–	
			–	G1/4	–	–	R1/4	–	
–			G3/8	–	–	R3/8	–		
–			G1/2	–	–	R1/2	–		
–			G3/4	–	–	R3/4	–		

1) Sealing of the parallel threaded fittings NPFB with thread sealing tape GWB-0,1 Part No. 9076 is recommended.

# Threaded fittings

Product range overview

FESTO

Design	Version	Type	Connection D1			Connection D2			→ Page/ Internet	
			M thread	G thread <sup>1)</sup>	R thread <sup>1)</sup>	M thread	G thread <sup>1)</sup>	R thread <sup>1)</sup>		
T-type	<b>T-fitting – Female thread/male thread/male thread</b>									
		NPFB-T	–	G 1/8 G 1/4 G 3/8 G 1/2	–	–	–	R 1/8 R 1/4 R 3/8 R 1/2	18	
	<b>T-fitting – Male thread</b>									
		NPFB-T	–	–	R 1/8 R 1/4 R 3/8 R 1/2 R 3/4 R 1	–	–	–	19	
	<b>T-fitting – Male thread/male thread/female thread</b>									
		NPFB-T	–	–	R 1/8 R 1/4 R 3/8 R 1/2	–	G 1/8 G 1/4 G 3/8 G 1/2	–	19	
	<b>T-fitting – Male thread/female thread/female thread</b>									
		NPFB-T	M5	–	– R 1/8 R 1/4 R 3/8 R 1/2 R 3/4 R 1	M5	– G 1/8 G 1/4 G 3/8 G 1/2 G 3/4 G 1	–	20	
	Y-shape	<b>Y-fitting – Female thread</b>								
			NPFB-Y	–	G 1/8 G 1/4 G 3/8 G 1/2	–	–	–	–	20
		<b>Y-fitting – Male thread/female thread/female thread</b>								
			NPFB-Y	–	–	R 1/8 R 1/4 R 3/8 R 1/2	–	G 1/8 G 1/4 G 3/8 G 1/2	–	21
X-shape	<b>X-fitting – Female thread</b>									
		NPFB-X	–	G 1/8 G 1/4 G 3/8 G 1/2	–	–	–	–	21	
	<b>X-fitting – Male thread/female thread/female thread/female thread</b>									
		NPFB-X	–	G 1/8 G 1/4 G 3/8 G 1/2	–	–	–	R 1/8 R 1/4 R 3/8 R 1/2	22	

1) Sealing of the parallel threaded fittings NPFB with thread sealing tape GWB-0,1 Part No. 9076 is recommended.

# Threaded fittings

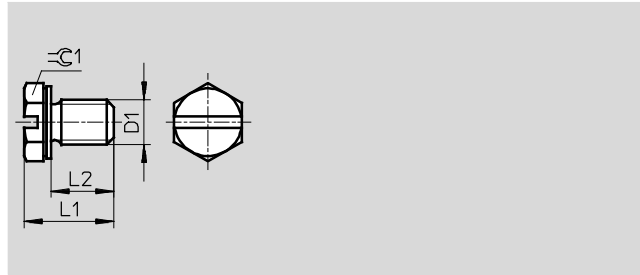
Technical data

FESTO

## Blanking plug B-M3-S9 with sealing ring

Material:  
High-alloy stainless steel

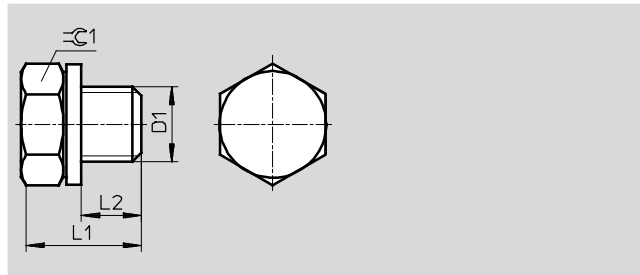
Note on materials:  
Free of copper and PTFE



## Blanking plug B-M5 with sealing ring

Material:  
Aluminium

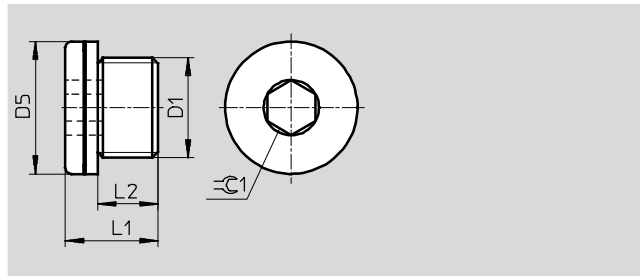
Note on materials:  
Free of copper and PTFE



## Blanking plug B with sealing ring

Material:  
Steel

Note on materials:  
Free of copper and PTFE



Dimensions and ordering data								
Connection	D5	L1	L2	≅C1	Weight/piece [g]	Part No.	Type	PU <sup>1)</sup>
D1	∅							
<b>M thread</b>								
M3	–	5.3	2.8	4.5	1	30979	B-M3-S9 <sup>2)</sup>	10
M5	–	7.8	3.8	7	1	3843	B-M5	10
		8	6.3	3.8	2.5	2	534212	B-M5-100
M7	9.5	7.8	5.3	3	2	174308	B-M5-B	10
							174309	B-M7
<b>G thread</b>								
G <sup>1</sup> / <sub>8</sub>	14	11	6.4	5	5	3568	B- <sup>1</sup> / <sub>8</sub> <sup>3)</sup>	10
						534213	B- <sup>1</sup> / <sub>8</sub> -100 <sup>3)</sup>	100
G <sup>1</sup> / <sub>4</sub>	18	15	9.8	6	15	3569	B- <sup>1</sup> / <sub>4</sub> <sup>3)</sup>	10
						534214	B- <sup>1</sup> / <sub>4</sub> -50 <sup>3)</sup>	50
G <sup>3</sup> / <sub>8</sub>	22	15	9.8	8	22	3570	B- <sup>3</sup> / <sub>8</sub> <sup>3)</sup>	10
						534215	B- <sup>3</sup> / <sub>8</sub> -20 <sup>3)</sup>	20
G <sup>1</sup> / <sub>2</sub>	26	18	11.65	10	43	3571	B- <sup>1</sup> / <sub>2</sub> <sup>3)</sup>	10
						534216	B- <sup>1</sup> / <sub>2</sub> -20 <sup>3)</sup>	20
G <sup>3</sup> / <sub>4</sub>	32	20	13.05	12	73	3572	B- <sup>3</sup> / <sub>4</sub> <sup>3)</sup>	1
G1	39	21	14	17	153	5763	B-1	1

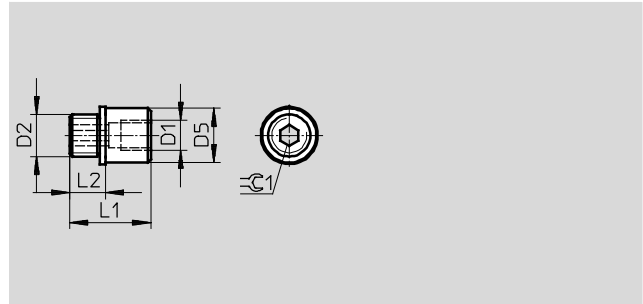
1) Packaging unit quantity  
2) Corrosion and acid resistant version  
3) Conforms to RoHS

# Threaded fittings

Technical data

**Reducing nipple D**  
with sealing ring

Material:  
Brass

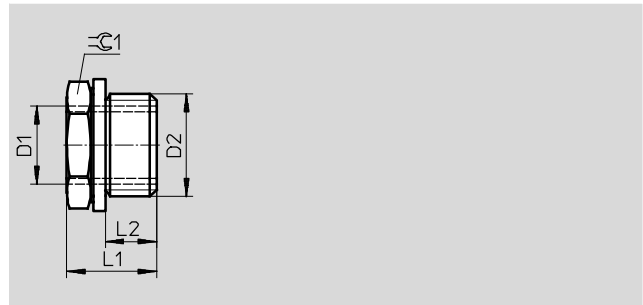


Connection		D5	L1	L2	≈C 1	Weight/piece [g]	Part No.	Type	PU <sup>1)</sup>
D1	D2								
M5	M7	9	13.5	6	3	43	161359	D-M5I-M7A-ISK	10

1) Packaging unit quantity

**Reducing nipple D**  
with sealing ring

Material:  
Brass  
D-M3I-M5A-S9:  
High-alloy stainless steel



Connection		L1	L2	≈C 1	Weight/piece [g]	Part No.	Type	PU <sup>1)</sup>
D1	D2							
<b>M thread</b>								
M3	M5	6.3	3.8	7	1	30980	D-M3I-M5A-S9 <sup>2)</sup>	10
M5	G <sup>1</sup> / <sub>8</sub>	9.5	4.9	13	10	3842	D-M5I- <sup>1</sup> / <sub>8</sub> A <sup>3)</sup>	10
6 mm deep						534208	D-M5I- <sup>1</sup> / <sub>8</sub> A-100	100
M5	G <sup>1</sup> / <sub>4</sub>	12	5.8	17	12	197632	D-M5I- <sup>1</sup> / <sub>4</sub> A	10
M7	G <sup>1</sup> / <sub>8</sub>	9.5	4.9	13	-	534144	D-M7I- <sup>1</sup> / <sub>8</sub> A	10
G <sup>1</sup> / <sub>8</sub>	G <sup>1</sup> / <sub>4</sub>	12	5.8	17	8	3577	D- <sup>1</sup> / <sub>8</sub> I- <sup>1</sup> / <sub>4</sub> A	10
						534209	D- <sup>1</sup> / <sub>8</sub> I- <sup>1</sup> / <sub>4</sub> A-100	100
	G <sup>3</sup> / <sub>8</sub>	14	6.8	19	-	534147	D- <sup>1</sup> / <sub>8</sub> I- <sup>3</sup> / <sub>8</sub> A	10
G <sup>1</sup> / <sub>4</sub>	G <sup>3</sup> / <sub>8</sub>	14	6.8	19	14	3581	D- <sup>1</sup> / <sub>4</sub> I- <sup>3</sup> / <sub>8</sub> A	10
						534210	D- <sup>1</sup> / <sub>4</sub> I- <sup>3</sup> / <sub>8</sub> A-50	50
	G <sup>1</sup> / <sub>2</sub>	15.5	8.15	24	36	197633	D- <sup>1</sup> / <sub>4</sub> I- <sup>1</sup> / <sub>2</sub> A	10
	G <sup>3</sup> / <sub>4</sub>	20.4	9.05	32	-	534145	D- <sup>1</sup> / <sub>4</sub> I- <sup>3</sup> / <sub>4</sub> A	10
G <sup>3</sup> / <sub>8</sub>	G <sup>1</sup> / <sub>2</sub>	15.5	8.15	24	25	3585	D- <sup>3</sup> / <sub>8</sub> I- <sup>1</sup> / <sub>2</sub> A	10
						534211	D- <sup>3</sup> / <sub>8</sub> I- <sup>1</sup> / <sub>2</sub> A-20	20
	G <sup>3</sup> / <sub>4</sub>	20.4	9.05	32	-	534146	D- <sup>3</sup> / <sub>8</sub> I- <sup>3</sup> / <sub>4</sub> A	10
G <sup>1</sup> / <sub>2</sub>	G <sup>3</sup> / <sub>4</sub>	20.4	14	32	45	3588	D- <sup>1</sup> / <sub>2</sub> I- <sup>3</sup> / <sub>4</sub> A	1
	G1	21	13	36	110	197634	D- <sup>1</sup> / <sub>2</sub> I-1A	1
G <sup>3</sup> / <sub>4</sub>	G1	21	13	36	55	9168	D- <sup>3</sup> / <sub>4</sub> I-1A	1

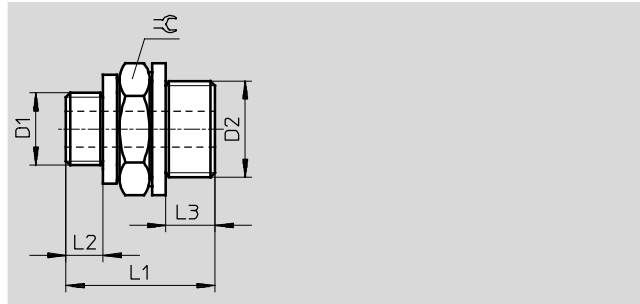
1) Packaging unit quantity  
2) Corrosion and acid resistant version  
3) Free of copper and PTFE

# Threaded fittings

Technical data

FESTO

**Double nipple E**  
with 2 sealing rings



Dimensions and ordering data										
Connection		Nominal size	L1	L2	L3	≈	Weight/piece [g]	Part No.	Type	PU <sup>1)</sup>
D1	D2									
<b>M thread – High-alloy steel</b>										
M3	M3	1.7	10	2.8	2.8	4.5	1	30987	E-M3-M3-S9 <sup>2)</sup> 3)	10
<b>M thread – Steel</b>										
M5	M5	2.5	12.6	3.8	3.8	7	2	4139	E-M5-M5 <sup>3)</sup>	10
	G <sup>1</sup> / <sub>8</sub>	2.5	15.3	3.8	4.9	13	1	4138	E-M5- <sup>1</sup> / <sub>8</sub> <sup>3)</sup>	10
		534204	E-M5- <sup>1</sup> / <sub>8</sub> -100 <sup>3)</sup>	100						
<b>G thread – Aluminium</b>										
G <sup>1</sup> / <sub>8</sub>	G <sup>1</sup> / <sub>8</sub>	4.5	17	4.9	4.9	13	1	3573	E- <sup>1</sup> / <sub>8</sub> - <sup>1</sup> / <sub>8</sub> <sup>3)</sup>	10
	G <sup>1</sup> / <sub>4</sub>	4.5	19.5	4.9	5.8	17	1	3574	E- <sup>1</sup> / <sub>8</sub> - <sup>1</sup> / <sub>4</sub> <sup>3)</sup>	10
		534205	E- <sup>1</sup> / <sub>8</sub> - <sup>1</sup> / <sub>4</sub> -100 <sup>3)</sup>	100						
G <sup>1</sup> / <sub>4</sub>	G <sup>1</sup> / <sub>4</sub>	6.5	21	5.8	5.8	17	1	3575	E- <sup>1</sup> / <sub>4</sub> - <sup>1</sup> / <sub>4</sub> <sup>3)</sup>	10
	G <sup>3</sup> / <sub>8</sub>	6.5	22	5.8	6.8	19	10	3576	E- <sup>1</sup> / <sub>4</sub> - <sup>3</sup> / <sub>8</sub> <sup>3)</sup>	10
		534206	E- <sup>1</sup> / <sub>4</sub> - <sup>3</sup> / <sub>8</sub> -50 <sup>3)</sup>	50						
G <sup>3</sup> / <sub>8</sub>	G <sup>3</sup> / <sub>8</sub>	9.0	23	6.8	6.8	19	10	3578	E- <sup>3</sup> / <sub>8</sub> - <sup>3</sup> / <sub>8</sub> <sup>3)</sup>	10
	G <sup>1</sup> / <sub>2</sub>	9.0	26.5	6.8	8.15	24	20	3579	E- <sup>3</sup> / <sub>8</sub> - <sup>1</sup> / <sub>2</sub> <sup>3)</sup>	1
		534207	E- <sup>3</sup> / <sub>8</sub> - <sup>1</sup> / <sub>2</sub> -20 <sup>3)</sup>	20						
G <sup>1</sup> / <sub>2</sub>	G <sup>1</sup> / <sub>2</sub>	13.0	28	8.15	8.15	24	20	3580	E- <sup>1</sup> / <sub>2</sub> - <sup>1</sup> / <sub>2</sub> <sup>3)</sup>	1
	G <sup>3</sup> / <sub>4</sub>	13.0	30.5	8.5	9.05	32	35	3582	E- <sup>1</sup> / <sub>2</sub> - <sup>3</sup> / <sub>4</sub> <sup>3)</sup>	1
		3584	E- <sup>3</sup> / <sub>4</sub> - <sup>3</sup> / <sub>4</sub> <sup>3)</sup>	1						
<b>M thread – Brass</b>										
M7	G <sup>1</sup> / <sub>8</sub>	4.5	17.7	5.3	4.9	13		534148	E-M7- <sup>1</sup> / <sub>8</sub> -MS	10
<b>G thread – Brass</b>										
G <sup>1</sup> / <sub>8</sub>	G <sup>1</sup> / <sub>8</sub>	4.5	17	4.9	4.9	13	10	15621	E- <sup>1</sup> / <sub>8</sub> - <sup>1</sup> / <sub>8</sub> -MS	10
	G <sup>1</sup> / <sub>4</sub>	4.5	19.5	4.9	5.8	17	20	15622	E- <sup>1</sup> / <sub>8</sub> - <sup>1</sup> / <sub>4</sub> -MS	10
		5.3	20.4	4.9	6.8	19	25	534150	E- <sup>1</sup> / <sub>8</sub> - <sup>3</sup> / <sub>8</sub> -MS	10
G <sup>1</sup> / <sub>4</sub>	G <sup>1</sup> / <sub>4</sub>	6.5	21	5.8	5.8	17	20	15623	E- <sup>1</sup> / <sub>4</sub> - <sup>1</sup> / <sub>4</sub> -MS	10
	G <sup>3</sup> / <sub>8</sub>	6.5	22	5.8	6.8	19	30	15624	E- <sup>1</sup> / <sub>4</sub> - <sup>3</sup> / <sub>8</sub> -MS	10
		G <sup>1</sup> / <sub>2</sub>	8	25.5	5.8	8.15	24	30	534149	E- <sup>1</sup> / <sub>4</sub> - <sup>1</sup> / <sub>2</sub> -MS
G <sup>3</sup> / <sub>8</sub>	G <sup>3</sup> / <sub>8</sub>	9	23	6.8	6.8	19	30	15625	E- <sup>3</sup> / <sub>8</sub> - <sup>3</sup> / <sub>8</sub> -MS	10
	G <sup>1</sup> / <sub>2</sub>	9	26.5	6.8	8.15	24	53	15626	E- <sup>3</sup> / <sub>8</sub> - <sup>1</sup> / <sub>2</sub> -MS	1
		13	28	8.15	8.15	24	52	15627	E- <sup>1</sup> / <sub>2</sub> - <sup>1</sup> / <sub>2</sub> -MS	1
G <sup>1</sup> / <sub>2</sub>	G <sup>3</sup> / <sub>4</sub>	13	30.5	8.15	9.05	32	100	15628	E- <sup>1</sup> / <sub>2</sub> - <sup>3</sup> / <sub>4</sub> -MS	1
		18	32	9.05	9.05	32	100	15629	E- <sup>3</sup> / <sub>4</sub> - <sup>3</sup> / <sub>4</sub> -MS	1

1) Packaging unit quantity  
2) Corrosion and acid resistant version  
3) Free of copper and PTFE



# Threaded fittings

Technical data

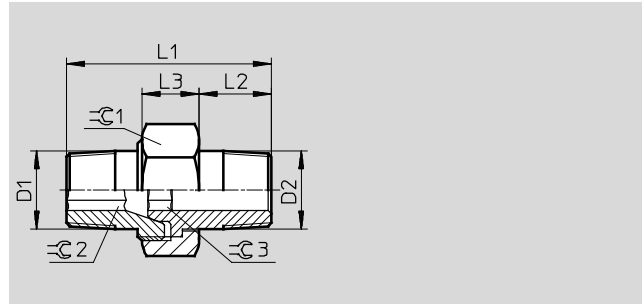
FESTO

## Double nipple ESK

adjustable for angular compensation

Material:

Brass



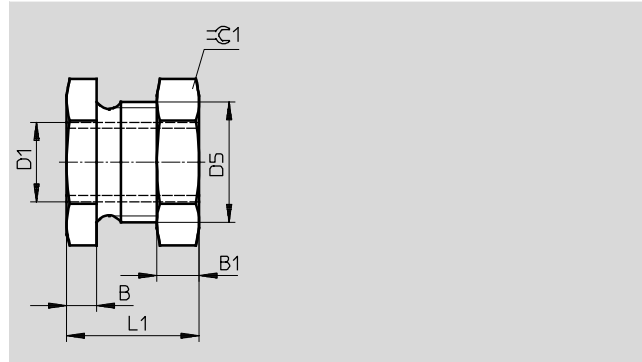
Dimensions and ordering data										
Connection		L1	L2	L3	≡C 1	≡C 2	≡C 3	Part No.	Type	PU <sup>1)</sup>
D1	D2									
R <sup>1</sup> / <sub>8</sub>	R <sup>1</sup> / <sub>8</sub>	27	9	8.5	15	5	5	151520	ESK- <sup>1</sup> / <sub>8</sub> - <sup>1</sup> / <sub>8</sub>	1
	R <sup>1</sup> / <sub>4</sub>	30.6	12	9.5	19	5	6	534151	ESK- <sup>1</sup> / <sub>8</sub> - <sup>1</sup> / <sub>4</sub>	1
	R <sup>3</sup> / <sub>8</sub>	34.5	13	10	22	5	8	534155	ESK- <sup>1</sup> / <sub>8</sub> - <sup>3</sup> / <sub>8</sub>	1
R <sup>1</sup> / <sub>4</sub>	R <sup>1</sup> / <sub>4</sub>	34	12	9.5	19	6	6	151521	ESK- <sup>1</sup> / <sub>4</sub> - <sup>1</sup> / <sub>4</sub>	1
	R <sup>3</sup> / <sub>8</sub>	36	13	10	22	6	8	534152	ESK- <sup>1</sup> / <sub>4</sub> - <sup>3</sup> / <sub>8</sub>	1
	R <sup>1</sup> / <sub>2</sub>	40.5	16	12	27	6	12	534153	ESK- <sup>1</sup> / <sub>4</sub> - <sup>1</sup> / <sub>2</sub>	1
R <sup>3</sup> / <sub>8</sub>	R <sup>3</sup> / <sub>8</sub>	36	13	10	22	8	8	151522	ESK- <sup>3</sup> / <sub>8</sub> - <sup>3</sup> / <sub>8</sub>	1
	R <sup>1</sup> / <sub>2</sub>	44	16	12	27	8	12	534154	ESK- <sup>3</sup> / <sub>8</sub> - <sup>1</sup> / <sub>2</sub>	1
R <sup>1</sup> / <sub>2</sub>	R <sup>1</sup> / <sub>2</sub>	44	16	12	27	12	12	151523	ESK- <sup>1</sup> / <sub>2</sub> - <sup>1</sup> / <sub>2</sub>	1

1) Packaging unit quantity

## Female bulkhead connector SCM

Material:

Blue anodised aluminium



Dimensions and ordering data										
Connection	D5	B	B1	L1	≡C 1	Weight/piece [g]	Part No.	Type	PU <sup>1)</sup>	
M5	M10x1	4	3.5	15.5	13	5	9969	SCM-M5	1	
G <sup>1</sup> / <sub>8</sub>	M14x1.5	5	5	20	17	10	9970	SCM- <sup>1</sup> / <sub>8</sub>	1	
G <sup>1</sup> / <sub>4</sub>	M20x1.5	5	7	22	24	28	9971	SCM- <sup>1</sup> / <sub>4</sub>	1	
G <sup>3</sup> / <sub>8</sub>	M24x1.5	8	8.5	26.5	27	34	9972	SCM- <sup>3</sup> / <sub>8</sub>	1	
G <sup>1</sup> / <sub>2</sub>	M30x1.5	8	10.5	28.5	36	78	9973	SCM- <sup>1</sup> / <sub>2</sub>	1	

1) Packaging unit quantity

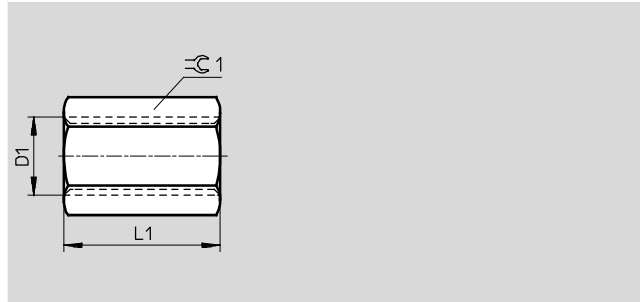
# Threaded fittings

Technical data

## Pipe coupling sleeve QM

Material:  
Blue anodised aluminium  
QM-M5-M5:  
Steel

Note on materials:  
Free of copper and PTFE  
Conforms to RoHS



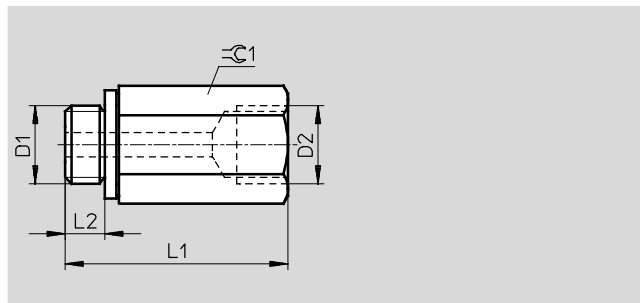
Dimensions and ordering data						
Connection	L1	$\varnothing 1$	Weight/piece [g]	Part No.	Type	PU <sup>1)</sup>
M5	12	7	1	3560	QM-M5-M5	10
G $\frac{1}{8}$	22	13	6	2254	QM- $\frac{1}{8}$ - $\frac{1}{8}$	10
G $\frac{1}{4}$	26	17	9	2255	QM- $\frac{1}{4}$ - $\frac{1}{4}$	10
G $\frac{3}{8}$	32	22	19	2256	QM- $\frac{3}{8}$ - $\frac{3}{8}$	10
G $\frac{1}{2}$	36	27	31	2257	QM- $\frac{1}{2}$ - $\frac{1}{2}$	1
G $\frac{3}{4}$	36	32	36	4226	QM- $\frac{3}{4}$ - $\frac{3}{4}$	1
G1	40	41	80	9968	QM-1-1	1

1) Packaging unit quantity

## Pipe coupling sleeve QM with sealing ring

Material:  
Blue anodised aluminium  
QM-M5-A/I:  
Steel

Note on materials:  
Free of copper and PTFE



Dimensions and ordering data								
Connection		L1	L2	$\varnothing 1$	Weight/piece [g]	Part No.	Type	PU <sup>1)</sup>
D1	D2							
M5	M5	18.5	3.8	7	4	36169	QM-M5-A/I	10
G $\frac{1}{8}$	G $\frac{1}{8}$	25.6	4.9	13	7	36170	QM- $\frac{1}{8}$ -A/I	10
G $\frac{1}{4}$	G $\frac{1}{4}$	36	5.8	17	15	36171	QM- $\frac{1}{4}$ -A/I	10
G $\frac{3}{8}$	G $\frac{3}{8}$	37.8	6.8	19	16	36172	QM- $\frac{3}{8}$ -A/I	10
G $\frac{1}{2}$	G $\frac{1}{2}$	49	8.15	24	36	187387	QM- $\frac{1}{2}$ -A/I	1

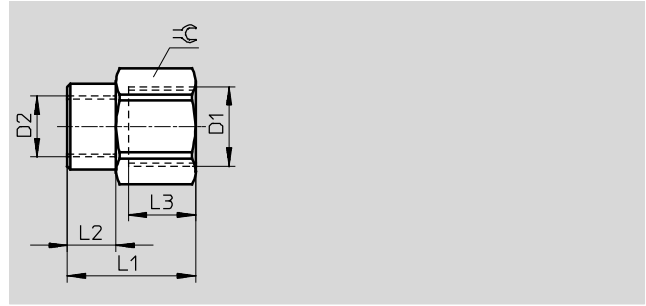
1) Packaging unit quantity

# Threaded fittings

Technical data

## Reducing sleeve QMR

Material:  
Nickel plated brass



Dimensions and ordering data										
Connection	Nominal size [mm]	Connection	L1	L2	L3	☉	Weight/piece [g]	Part No.	Type	PU <sup>1)</sup>
D1		D2								
M thread										
G <sup>1</sup> / <sub>8</sub>	2.6	M5	17	7	7	14	12	153281	QMR- <sup>1</sup> / <sub>8</sub> -M5-B	10
G thread										
G <sup>1</sup> / <sub>4</sub>	5.3	G <sup>1</sup> / <sub>8</sub>	21	8	9	17	22	153282	QMR- <sup>1</sup> / <sub>4</sub> - <sup>1</sup> / <sub>8</sub> -B	10
G <sup>3</sup> / <sub>8</sub>	6.9	G <sup>1</sup> / <sub>4</sub>	25	11	11	21	34	153283	QMR- <sup>3</sup> / <sub>8</sub> - <sup>1</sup> / <sub>4</sub> -B	10
G <sup>1</sup> / <sub>2</sub>	10.7	G <sup>3</sup> / <sub>8</sub>	33	14	14	24	55	153284	QMR- <sup>1</sup> / <sub>2</sub> - <sup>3</sup> / <sub>8</sub> -B	1

1) Packaging unit quantity

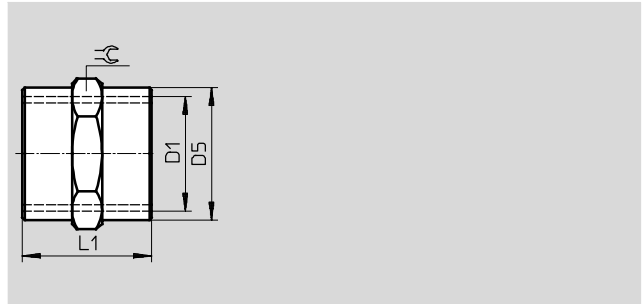
# Threaded fittings NPFB

Technical data

FESTO

## Sleeve NPFB-S

Operating pressure:  
-0.95 ... +40 bar  
Ambient temperature:  
-20 ... +150 °C  
Operating medium:  
Compressed air in accordance with  
ISO 8573-1:2010 [7:--]



Material:  
Nickel-plated brass

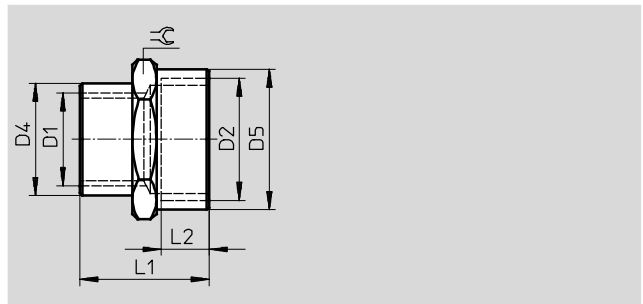
Note on material:  
Conforms to RoHS

Dimensions and ordering data								
Connection	D5	L1	⌀	Weight/piece [g]	Part No.	Type	PU <sup>1)</sup>	
M thread								
M5	7.5	11	8	3	547809	NPFB-S-2M5-F	10	
G thread								
G <sup>1</sup> / <sub>8</sub>	13.8	15	14	11	547810	NPFB-S-2G18-F	10	
G <sup>1</sup> / <sub>4</sub>	16.8	22	17	20	547811	NPFB-S-2G14-F	10	
G <sup>3</sup> / <sub>8</sub>	21.8	24	22	38	547812	NPFB-S-2G38-F	10	
G <sup>1</sup> / <sub>2</sub>	25.5	30	26	55	547813	NPFB-S-2G12-F	10	
G <sup>3</sup> / <sub>4</sub>	31.5	32	32	91	547814	NPFB-S-2G34-F	10	

1) Packaging unit quantity

## Reducing sleeve NPFB-R

Operating pressure:  
-0.95 ... +40 bar  
Ambient temperature:  
-20 ... +150 °C  
Operating medium:  
Compressed air in accordance with  
ISO 8573-1:2010 [7:--]



Material:  
Nickel-plated brass

Note on material:  
Conforms to RoHS

Dimensions and ordering data										
Connection	D2	D4	D5	L1	L2	⌀	Weight/piece [g]	Part No.	Type	PU <sup>1)</sup>
G <sup>1</sup> / <sub>8</sub>	G <sup>3</sup> / <sub>8</sub>	13.8	21.8	20	10	22	30	547815	NPFB-R-G38-G18-F	10
G <sup>1</sup> / <sub>2</sub>	G <sup>3</sup> / <sub>4</sub>	25.5	31.5	30	13	32	83	547816	NPFB-R-G34-G12-F	10

1) Packaging unit quantity

# Threaded fittings NPFB

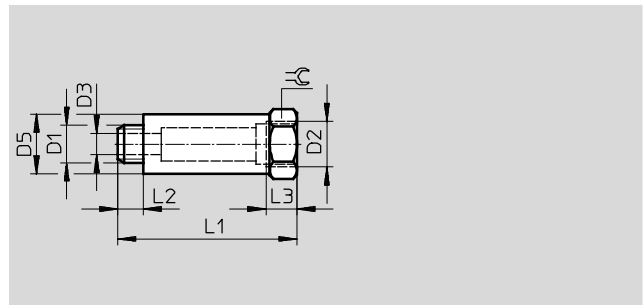
Technical data

**Extension NPFB-E...**

Operating pressure:  
 -0.95 ... +40 bar  
 Ambient temperature:  
 -20 ... +150 °C  
 Operating medium:  
 Compressed air in accordance with  
 ISO 8573-1:2010 [7:--:-]

Material:  
 Nickel-plated brass

Note on material:  
 Conforms to RoHS



Dimensions and ordering data											
Connection		D3	D5	L1	L2	L3	≈	Weight/piece [g]	Part No.	Type	PU <sup>1)</sup>
D1	D2	∅	∅								
<b>E1</b>											
G1/8	G1/8	5	13.5	22	6	6.5	14	17	547822	NPFB-E1-2G18-FM	10
G1/4	G1/4	7	16.5	28	8	10	17	28	547823	NPFB-E1-2G14-FM	10
G3/8	G3/8	11	21.8	32	9	10	22	40	547824	NPFB-E1-2G38-FM	10
G1/2	G1/2	14	25.5	35	10	11	26	55	547825	NPFB-E1-2G12-FM	10
<b>E2</b>											
G1/8	G1/8	5	13.5	32	6	6.5	14	25	547826	NPFB-E2-2G18-FM	10
G1/4	G1/4	7	16.5	35	8	10	17	35	547827	NPFB-E2-2G14-FM	10
<b>E3</b>											
G1/8	G1/8	5	13.5	42	6	6.5	14	32	547828	NPFB-E3-2G18-FM	10
G1/4	G1/4	7	16.5	51	8	10	17	51	547829	NPFB-E3-2G14-FM	10
<b>E4</b>											
G1/8	G1/8	5	13.5	51	6	6.5	14	40	547830	NPFB-E4-2G18-FM	10

1) Packaging unit quantity

# Threaded fittings NPFB

Technical data

## Double nipple NPFB-D

Operating pressure:

-0.95 ... +40 bar

Ambient temperature:

-20 ... +150 °C

Operating medium:

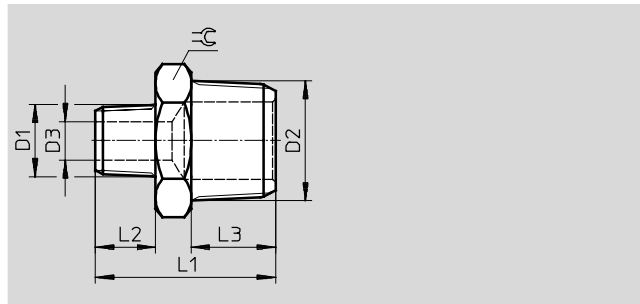
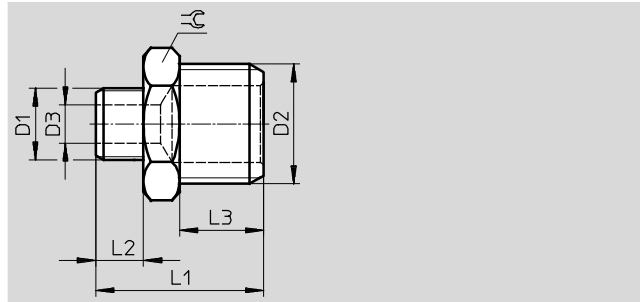
Compressed air in accordance with  
ISO 8573-1:2010 [7:-:-]

Material:

Nickel-plated brass

Note on material:

Conforms to RoHS



Dimensions and ordering data										
Connection		D3 ∅	L1	L2	L3	⌀	Weight/piece [g]	Part No.	Type	PU <sup>1)</sup>
D1	D2									
<b>M thread</b>										
M5	M5	2	11.5	4	4	8	3	550036	NPFB-D-2M5-M	10
M7	G <sup>3</sup> / <sub>8</sub>	4	14.5	4	6	14	7	547799	NPFB-D-M7-G18-M	10
<b>G thread</b>										
G <sup>3</sup> / <sub>8</sub>	G <sup>3</sup> / <sub>8</sub>	5.5	16.5	6	6	14	10	547800	NPFB-D-2G18-M	10
	G <sup>1</sup> / <sub>4</sub>	5.5	19	6	8	17	16	547801	NPFB-D-G18-G14-M	10
	G <sup>3</sup> / <sub>8</sub>	5.5	20	6	9	19	21	547802	NPFB-D-G18-G38-M	10
G <sup>1</sup> / <sub>4</sub>	G <sup>1</sup> / <sub>4</sub>	8	21	8	8	17	17	547803	NPFB-D-2G14-M	10
	G <sup>3</sup> / <sub>8</sub>	8	22	8	9	19	23	547804	NPFB-D-G14-G38-M	10
	G <sup>1</sup> / <sub>2</sub>	8	23.5	8	10	24	36	547805	NPFB-D-G14-G12-M	10
G <sup>3</sup> / <sub>8</sub>	G <sup>3</sup> / <sub>8</sub>	11	23	9	9	19	24	547806	NPFB-D-2G38-M	10
	G <sup>1</sup> / <sub>2</sub>	11	24.5	9	10	24	37	547807	NPFB-D-G38-G12-M	10
G <sup>1</sup> / <sub>2</sub>	G <sup>1</sup> / <sub>2</sub>	14	25.5	10	10	24	38	547808	NPFB-D-2G12-M	10
<b>R thread</b>										
R <sup>1</sup> / <sub>8</sub>	R <sup>1</sup> / <sub>8</sub>	5	20	8	8	12	11	547787	NPFB-D-2R18-M	10
	R <sup>1</sup> / <sub>4</sub>	5	24	8	11	14	17	547788	NPFB-D-R18-R14-M	10
	R <sup>3</sup> / <sub>8</sub>	5.5	24.5	8	11.5	17	23	547789	NPFB-D-R18-R38-M	10
R <sup>1</sup> / <sub>4</sub>	R <sup>1</sup> / <sub>4</sub>	8	27	11	11	14	21	547790	NPFB-D-2R14-M	10
	R <sup>3</sup> / <sub>8</sub>	8	27.5	11	11.5	17	27	547791	NPFB-D-R14-R38-M	10
	R <sup>1</sup> / <sub>2</sub>	8	30.5	11	14	22	44	547792	NPFB-D-R14-R12-M	10
R <sup>3</sup> / <sub>8</sub>	R <sup>3</sup> / <sub>8</sub>	11	28	11.5	11.5	17	30	547793	NPFB-D-2R38-M	10
	R <sup>1</sup> / <sub>2</sub>	11	31	11.5	14	22	47	547794	NPFB-D-R38-R12-M	10
R <sup>1</sup> / <sub>2</sub>	R <sup>1</sup> / <sub>2</sub>	14	33.5	14	14	22	56	547795	NPFB-D-2R12-M	10
	R <sup>3</sup> / <sub>4</sub>	14	37.5	14	16.5	27	84	547796	NPFB-D-R12-R34-M	10
R <sup>3</sup> / <sub>4</sub>	R <sup>3</sup> / <sub>4</sub>	18.5	40	16.5	16.5	27	97	547797	NPFB-D-2R34-M	10
R1	R1	24.5	45.5	19	19	34	158	547798	NPFB-D-2R1-M	10

1) Packaging unit quantity

# Threaded fittings NPFB

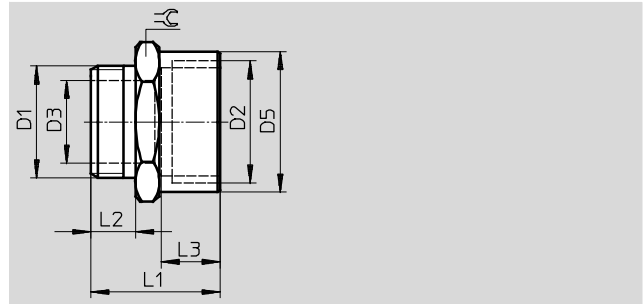
Technical data

## Reducing nipple NPFB-R

Operating pressure:  
 -0.95 ... +40 bar  
 Ambient temperature:  
 -20 ... +150 °C  
 Operating medium:  
 Compressed air in accordance with  
 ISO 8573-1:2010 [7:--:]

Material:  
 Nickel-plated brass

Note on material:  
 Conforms to RoHS



Connection		D3	D5	L1	L2	L3	≈C	Weight/piece [g]	Part No.	Type	PU <sup>1)</sup>
D1	D2	∅	∅								
M5	G1/8	2	13.8	15.5	4	6.5	14	11	547817	NPFB-R-G18-M5-FM	10
G1/8	G1/4	5.5	16.8	20.5	6	8	17	19	547818	NPFB-R-G14-G18-FM	10
	G3/8	5.5	21.8	23	6	10	22	35	547819	NPFB-R-G38-G18-FM	10
G1/4	G3/8	8	21.8	24	8	10	22	35	547820	NPFB-R-G38-G14-FM	10
G3/8	G1/2	11	25.5	29.5	9	11	26	51	547821	NPFB-R-G12-G38-FM	10

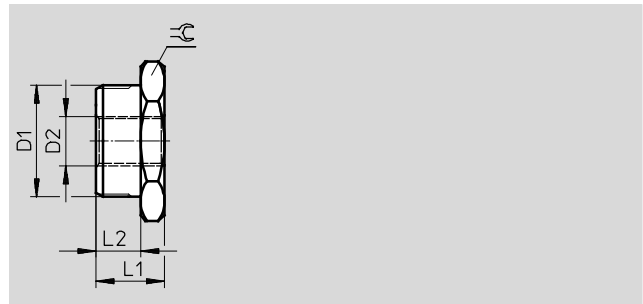
1) Packaging unit quantity

## Reducing nipple NPFB-R

Operating pressure:  
 -0.95 ... +40 bar  
 Ambient temperature:  
 -20 ... +150 °C  
 Operating medium:  
 Compressed air in accordance with  
 ISO 8573-1:2010 [7:--:]

Material:  
 Nickel-plated brass

Note on material:  
 Conforms to RoHS



Connection		L1	L2	≈C	Weight/piece [g]	Part No.	Type	PU <sup>1)</sup>
D1	D2							
G1/8	M5	10.5	6	14	8	547831	NPFB-R-G18-M5-MF	10
G1/4	G1/8	13	8	17	13	547832	NPFB-R-G14-G18-MF	10
G3/8	G1/8	14	9	19	22	547833	NPFB-R-G38-G18-MF	10
	G1/4	14	9	19	16	547834	NPFB-R-G38-G14-MF	10
G1/2	G1/4	15.5	10	24	35	547835	NPFB-R-G12-G14-MF	10
	G3/8	15.5	10	24	28	547836	NPFB-R-G12-G38-MF	10
G3/4	G1/2	17.5	11	30	51	575668	NPFB-R-G34-G12-MF	10

1) Packaging unit quantity

# Threaded fittings NPFB

Technical data

## Elbow fitting NPFB-L

Operating pressure:

-0.95 ... +40 bar

Ambient temperature:

-20 ... +150 °C

Operating medium:

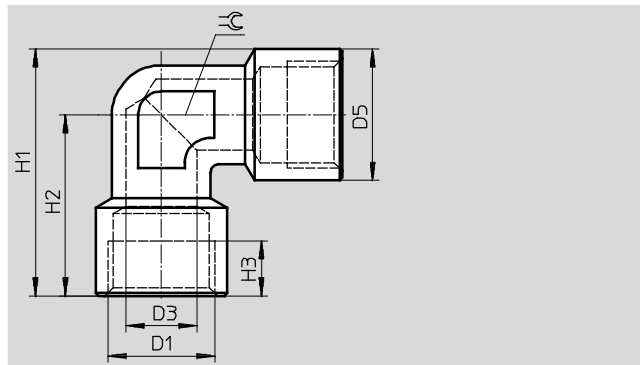
Compressed air in accordance with ISO 8573-1:2010 [7:-:-]

Material:

Nickel-plated brass

Note on material:

Conforms to RoHS



Dimensions and ordering data										
Connection	D3	D5	H1	H2	H3	⊖	Weight/piece [g]	Part No.	Type	PU <sup>1)</sup>
D1	∅	∅								
M5	4.2	8.5	15.25	11	4	9	31	547715	NPFB-L-2M5-F	10
G <sup>1</sup> / <sub>8</sub>	6	13	26.5	20	7	10	19	547716	NPFB-L-2G18-F	10
G <sup>1</sup> / <sub>4</sub>	9	16	33.5	25.5	8	13	31	547717	NPFB-L-2G14-F	10
G <sup>3</sup> / <sub>8</sub>	10	20.5	39.25	29	10	17	61	547718	NPFB-L-2G38-F	10
G <sup>1</sup> / <sub>2</sub>	14	25.5	47.75	35	11	20	115	547719	NPFB-L-2G12-F	10
G <sup>3</sup> / <sub>4</sub>	19	32	52.5	36.5	16.5	25	145	547720	NPFB-L-2G34-F	10
G1	24	39	64.5	45	19	30	245	547721	NPFB-L-2G1-F	10

1) Packaging unit quantity

## Elbow fitting NPFB-L

Operating pressure:

-0.95 ... +40 bar

Ambient temperature:

-20 ... +150 °C

Operating medium:

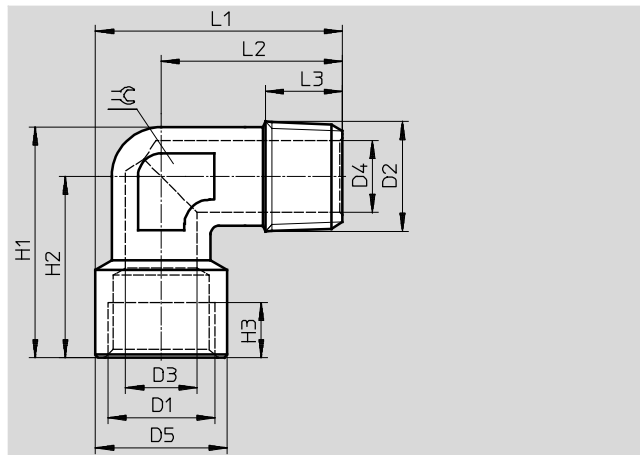
Compressed air in accordance with ISO 8573-1:2010 [7:-:-]

Material:

Nickel-plated brass

Note on material:

Conforms to RoHS



Dimensions and ordering data															
Connection		D3	D4	D5	L1	L2	L3	H1	H2	H3	⊖	Weight/piece [g]	Part No.	Type	PU <sup>1)</sup>
D1	D2	∅	∅	∅											
M5	M5	4.2	2	7.5	15.25	11.5	4	17	13.5	4	9	6	547722	NPFB-L-2M5-MF	10
G <sup>1</sup> / <sub>8</sub>	R <sup>1</sup> / <sub>8</sub>	6	5.5	13	25.5	19	8	25	20	7	10	18	547723	NPFB-L-R18-G18-MF	10
G <sup>1</sup> / <sub>4</sub>	R <sup>1</sup> / <sub>4</sub>	9	8	16	32	24	12.5	32	25.5	8	13	32	547724	NPFB-L-R14-G14-MF	10
G <sup>3</sup> / <sub>8</sub>	R <sup>3</sup> / <sub>8</sub>	10	11	20.5	36.75	26.5	13.6	37.5	29	10	17	55	547725	NPFB-L-R38-G38-MF	10
G <sup>1</sup> / <sub>2</sub>	R <sup>1</sup> / <sub>2</sub>	14	14	25.5	44.25	31.5	15.5	45.5	35	11	20	99	547726	NPFB-L-R12-G12-MF	10
G <sup>3</sup> / <sub>4</sub>	R <sup>3</sup> / <sub>4</sub>	19	19	32	49	33	16	49.75	36.5	16.5	25	120	547727	NPFB-L-R34-G34-MF	10
G1	R1	24	24	39	58.5	39	17	60.5	45	19	30	212	547728	NPFB-L-R1-G1-MF	10

1) Packaging unit quantity



# Threaded fittings NPFB

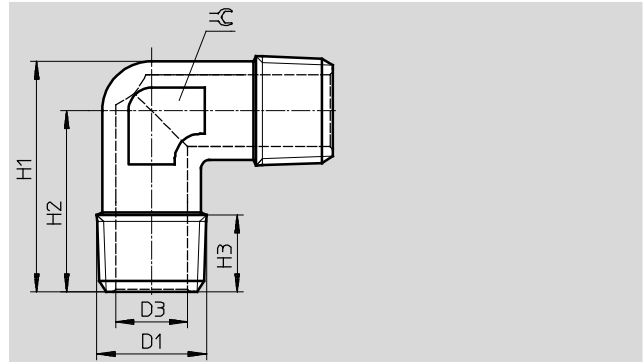
Technical data

## Elbow fitting NPFB-L

Operating pressure:  
-0.95 ... +40 bar  
Ambient temperature:  
-20 ... +150 °C  
Operating medium:  
Compressed air in accordance with  
ISO 8573-1:2010 [7:--:-]

Material:  
Nickel-plated brass

Note on material:  
Conforms to RoHS



Dimensions and ordering data										
Connection D1	D3 ∅	H1	H2	H3	⌀	Weight/piece [g]	Part No.	Type	PU <sup>1)</sup>	
M5	2	15.5	11.5	4	9	8	547729	NPFB-L-2M5-M	10	
R <sup>1</sup> / <sub>8</sub>	5.5	24	19	8	10	14	547730	NPFB-L-2R18-M	10	
R <sup>1</sup> / <sub>4</sub>	8	30.5	24	12.5	13	29	547731	NPFB-L-2R14-M	10	
R <sup>3</sup> / <sub>8</sub>	11	34.8	26.5	13.6	17	45	547732	NPFB-L-2R38-M	10	
R <sup>1</sup> / <sub>2</sub>	14	42	31.5	15.5	20	83	547733	NPFB-L-2R12-M	10	
R <sup>3</sup> / <sub>4</sub>	19	46	33	16	25	100	547734	NPFB-L-2R34-M	10	
R1	24	54.5	39	17	30	174	547735	NPFB-L-2R1-M	10	

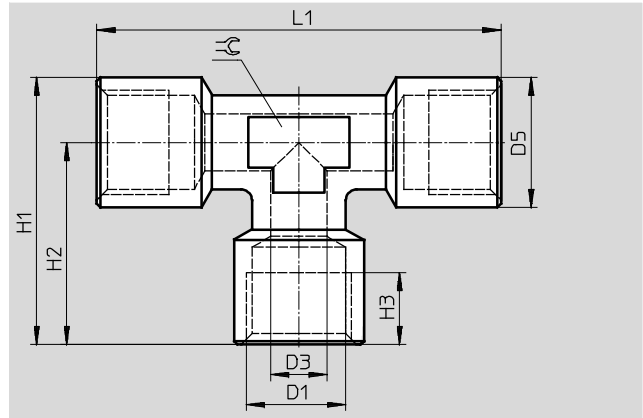
1) Packaging unit quantity

## T-fitting NPFB-T

Operating pressure:  
-0.95 ... +40 bar  
Ambient temperature:  
-20 ... +150 °C  
Operating medium:  
Compressed air in accordance with  
ISO 8573-1:2010 [7:--:-]

Material:  
Nickel-plated brass

Note on material:  
Conforms to RoHS



Dimensions and ordering data											
Connection D1	D3 ∅	D5 ∅	L1	H1	H2	H3	⌀	Weight/piece [g]	Part No.	Type	PU <sup>1)</sup>
M5	4.2	8.5	22	15.25	11	5	9	10	547744	NPFB-T-3M5-F	10
G <sup>1</sup> / <sub>8</sub>	6	13	40	26.5	20	7	10	27	547745	NPFB-T-3G18-F	10
G <sup>1</sup> / <sub>4</sub>	9	16	51	33.5	25.5	8	13	44	547746	NPFB-T-3G14-F	10
G <sup>3</sup> / <sub>8</sub>	10	21	58	39.5	29	10	17	85	547747	NPFB-T-3G38-F	10
G <sup>1</sup> / <sub>2</sub>	15	26.2	70	48.1	35	11	20	151	547748	NPFB-T-3G12-F	10
G <sup>3</sup> / <sub>4</sub>	19	32	73	52.5	36.5	16.5	25	194	547749	NPFB-T-3G34-F	10
G1	24	39	90	64.5	45	19	30	326	547750	NPFB-T-3G1-F	10

1) Packaging unit quantity

# Threaded fittings NPFB

Technical data

FESTO

## T-fitting NPFB-T

Operating pressure:

-0.95 ... +40 bar

Ambient temperature:

-20 ... +150 °C

Operating medium:

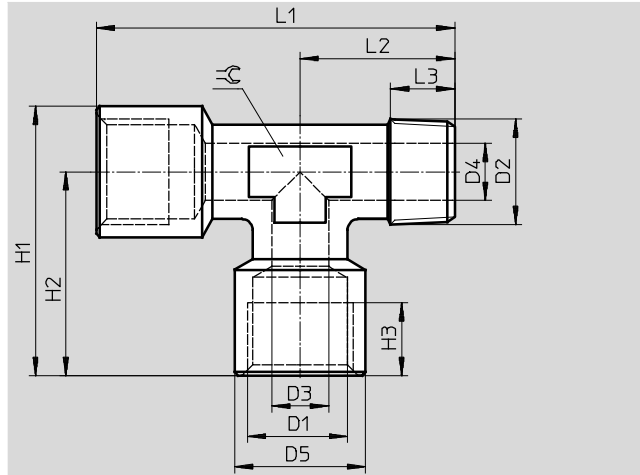
Compressed air in accordance with  
ISO 8573-1:2010 [7:--:-]

Material:

Nickel-plated brass

Note on material:

Conforms to RoHS



Dimensions and ordering data															
Connection		D3	D4	D5	L1	L2	L3	H1	H2	H3	⌀	Weight/piece	Part No.	Type	PU <sup>1)</sup>
D1	D2	∅	∅	∅								[g]			
M5	M5	4.2	2	8.5	22.5	12	4	15.25	11	5	9	8	547758	NPFB-T-3M5-FMF	10
G <sup>1</sup> / <sub>8</sub>	R <sup>1</sup> / <sub>8</sub>	6	5.5	13	39	19	8	26.5	20	7	10	26	547759	NPFB-T-2G18-R18-FMF	10
G <sup>1</sup> / <sub>4</sub>	R <sup>1</sup> / <sub>4</sub>	9	8	16	49.5	24	11	33.5	25.5	8	13	46	547760	NPFB-T-2G14-R14-FMF	10
G <sup>3</sup> / <sub>8</sub>	R <sup>3</sup> / <sub>8</sub>	10	11	20.5	55.5	26.5	13.6	39.25	29	10	17	82	547761	NPFB-T-2G38-R38-FMF	10
G <sup>1</sup> / <sub>2</sub>	R <sup>1</sup> / <sub>2</sub>	15	15	25.5	66.5	31.5	15.5	47.75	35	11	20	133	547762	NPFB-T-2G12-R12-FMF	10
G <sup>3</sup> / <sub>4</sub>	R <sup>3</sup> / <sub>4</sub>	19	19	32	69.5	33	16	52.5	36.5	16.5	25	172	547763	NPFB-T-2G34-R34-FMF	10
G1	R1	24	24	39	84	39	17.5	64.5	45	19	30	298	547764	NPFB-T-2G1-R1-FMF	10

1) Packaging unit quantity

## T-fitting NPFB-T

Operating pressure:

-0.95 ... +40 bar

Ambient temperature:

-20 ... +150 °C

Operating medium:

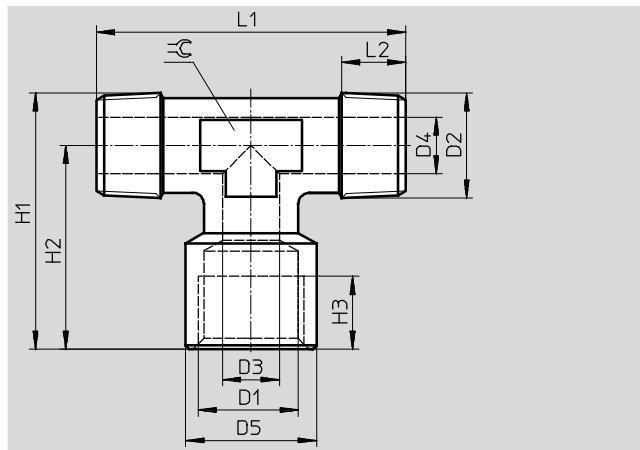
Compressed air in accordance with  
ISO 8573-1:2010 [7:--:-]

Material:

Nickel-plated brass

Note on material:

Conforms to RoHS



Dimensions and ordering data														
Connection		D3	D4	D5	L1	L2	H1	H2	H3	⌀	Weight/piece	Part No.	Type	PU <sup>1)</sup>
D1	D2	∅	∅	∅							[g]			
G <sup>1</sup> / <sub>8</sub>	R <sup>1</sup> / <sub>8</sub>	5.5	6	13	38	8	24.9	20	7	10	23	547771	NPFB-T-G18-2R18-FMM	10
G <sup>1</sup> / <sub>4</sub>	R <sup>1</sup> / <sub>4</sub>	8	9	16	48	12.5	32	25.5	8	13	43	547772	NPFB-T-G14-2R14-FMM	10
G <sup>3</sup> / <sub>8</sub>	R <sup>3</sup> / <sub>8</sub>	11	10	20.5	53	13.6	37.5	29	10	17	72	547773	NPFB-T-G38-2R38-FMM	10
G <sup>1</sup> / <sub>2</sub>	R <sup>1</sup> / <sub>2</sub>	15	15	25.5	63	15.5	45.7	35	11	20	118	547774	NPFB-T-G12-2R12-FMM	10

1) Packaging unit quantity

# Threaded fittings NPFB

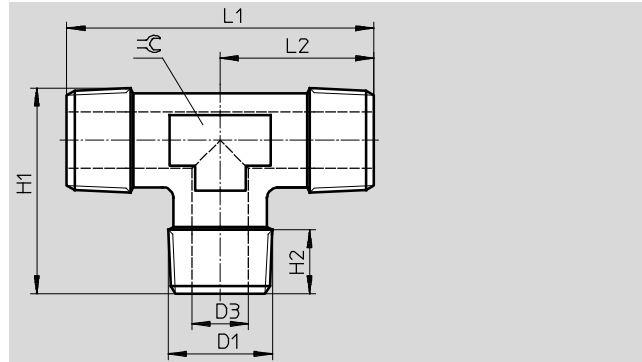
Technical data

## T-fitting NPFB-T

Operating pressure:  
-0.95 ... +40 bar  
Ambient temperature:  
-20 ... +150 °C  
Operating medium:  
Compressed air in accordance with  
ISO 8573-1:2010 [7:-:-]

Material:  
Nickel-plated brass

Note on material:  
Conforms to RoHS



Dimensions and ordering data										
Connection	D3	L1	L2	H1	H2	≡	Weight/piece [g]	Part No.	Type	PU <sup>1)</sup>
D1	∅									
R <sup>1</sup> / <sub>8</sub>	5.5	38	19	23.9	8	10	20	547765	NPFB-T-3R18-M	10
R <sup>1</sup> / <sub>4</sub>	8	48	24	30.6	12.5	13	41	547766	NPFB-T-3R14-M	10
R <sup>3</sup> / <sub>8</sub>	11	53	26.5	34.8	13.6	17	62	547767	NPFB-T-3R38-M	10
R <sup>1</sup> / <sub>2</sub>	15	63	31.5	42.2	15.5	20	101	547768	NPFB-T-3R12-M	10
R <sup>3</sup> / <sub>4</sub>	19	66.4	33.2	45	16.2	25	134	547769	NPFB-T-3R34-M	10
R1	24	78	39	54.2	17.5	30	236	547770	NPFB-T-3R1-M	10

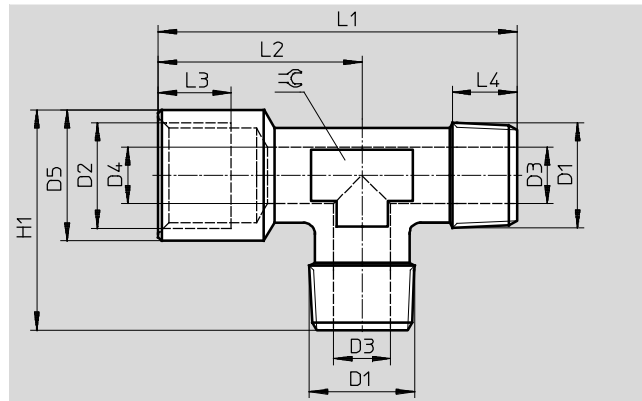
1) Packaging unit quantity

## T-fitting NPFB-T

Operating pressure:  
-0.95 ... +40 bar  
Ambient temperature:  
-20 ... +150 °C  
Operating medium:  
Compressed air in accordance with  
ISO 8573-1:2010 [7:-:-]

Material:  
Nickel-plated brass

Note on material:  
Conforms to RoHS



Dimensions and ordering data														
Connection	D3	D4	D5	L1	L2	L3	L4	H1	≡	Weight/piece [g]	Part No.	Type	PU <sup>1)</sup>	
D1	D2	∅	∅	∅										
R <sup>1</sup> / <sub>8</sub>	G <sup>1</sup> / <sub>8</sub>	6	5.5	13	39	20	7	8	25.5	10	24	547775	NPFB-T-2R18-G18-MMF	10
R <sup>1</sup> / <sub>4</sub>	G <sup>1</sup> / <sub>4</sub>	9	8	16	49.5	25.5	8	12.5	32	13	43	547776	NPFB-T-2R14-G14-MMF	10
R <sup>3</sup> / <sub>8</sub>	G <sup>3</sup> / <sub>8</sub>	10	11	20.5	55.5	29	10	13.6	36.75	17	72	547777	NPFB-T-2R38-G38-MMF	10
R <sup>1</sup> / <sub>2</sub>	G <sup>1</sup> / <sub>2</sub>	15	15	25.5	66.5	35	11	15.5	44.25	20	117	547778	NPFB-T-2R12-G12-MMF	10

1) Packaging unit quantity

# Threaded fittings NPFB

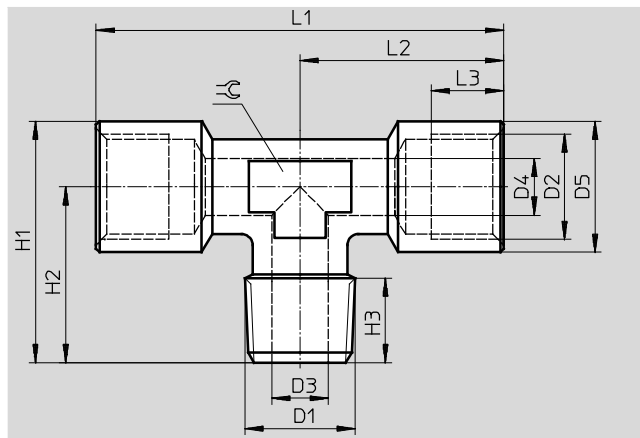
Technical data

## T-fitting NPFB-T

Operating pressure:  
-0.95 ... +40 bar  
Ambient temperature:  
-20 ... +150 °C  
Operating medium:  
Compressed air in accordance with  
ISO 8573-1:2010 [7:--:-]

Material:  
Nickel-plated brass

Note on material:  
Conforms to RoHS



Dimensions and ordering data															
Connection		D3	D4	D5	L1	L2	L3	H1	H2	H3	⌀	Weight/piece	Part No.	Type	PU <sup>1)</sup>
D1	D2	∅	∅	∅								[g]			
M5	M5	2	4.2	8.5	22	11	5	15.75	11.5	4	9	8	547751	NPFB-T-3M5-MFF	10
R <sup>1</sup> / <sub>8</sub>	G <sup>1</sup> / <sub>8</sub>	5.5	6	13	40	20	7	25.5	19	8	10	26	547752	NPFB-T-R18-2G18-MFF	10
R <sup>1</sup> / <sub>4</sub>	G <sup>1</sup> / <sub>4</sub>	8	9	16	51	25.5	8	32	24	12.5	13	46	547753	NPFB-T-R14-2G14-MFF	10
R <sup>3</sup> / <sub>8</sub>	G <sup>3</sup> / <sub>8</sub>	11	10	20.5	58	29	10	36.75	26.5	13.6	17	83	547754	NPFB-T-R38-2G38-MFF	10
R <sup>1</sup> / <sub>2</sub>	G <sup>1</sup> / <sub>2</sub>	15	15	25.5	70	35	11	44.25	31.5	15.5	20	130	547755	NPFB-T-R12-2G12-MFF	10
R <sup>3</sup> / <sub>4</sub>	G <sup>3</sup> / <sub>4</sub>	19	19	32	73	36.5	16.5	49	33	16	25	178	547756	NPFB-T-R34-2G34-MFF	10
R1	G1	24	24	39	90	45	19	58.5	39	17.5	30	296	547757	NPFB-T-R1-2G1-MFF	10

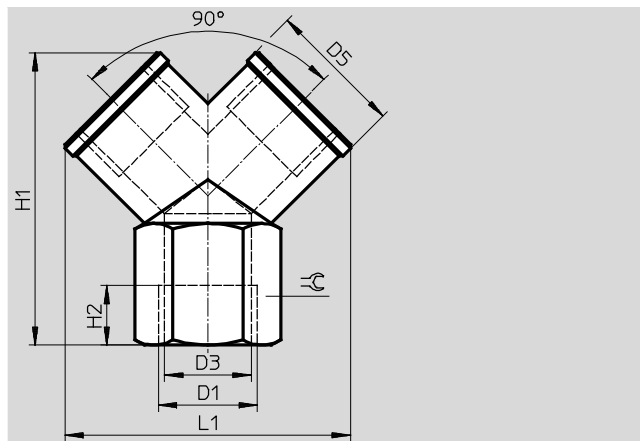
1) Packaging unit quantity

## Y-fitting NPFB-Y

Operating pressure:  
-0.95 ... +40 bar  
Ambient temperature:  
-20 ... +150 °C  
Operating medium:  
Compressed air in accordance with  
ISO 8573-1:2010 [7:--:-]

Material:  
Nickel-plated brass

Note on material:  
Conforms to RoHS



Dimensions and ordering data										
Connection	D3	D5	L1	H1	H2	⌀	Weight/piece	Part No.	Type	PU <sup>1)</sup>
D1	∅	∅					[g]			
G <sup>1</sup> / <sub>8</sub>	8.7	13	29	26.5	8	13	18	547736	NPFB-Y-3G18-F	10
G <sup>1</sup> / <sub>4</sub>	11.6	17	36	32	11	17	32	547737	NPFB-Y-3G14-F	10
G <sup>3</sup> / <sub>8</sub>	15	21	41	37	11.5	20	44	547738	NPFB-Y-3G38-F	10
G <sup>1</sup> / <sub>2</sub>	19	26	52.5	45	14	25	92	547739	NPFB-Y-3G12-F	10

1) Packaging unit quantity

# Threaded fittings NPFB

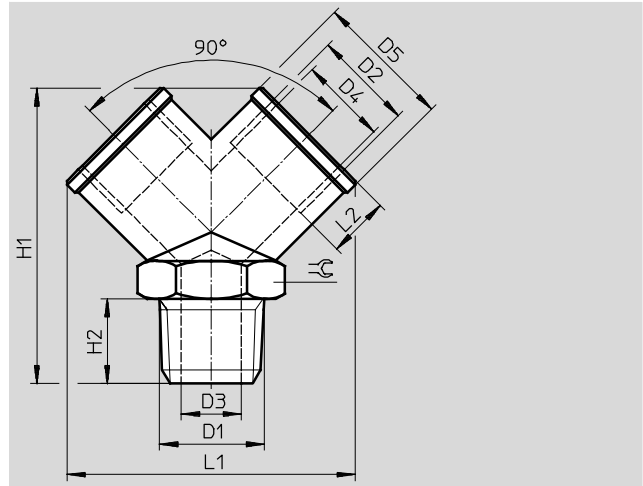
Technical data

## Y-fitting NPFB-Y

Operating pressure:  
-0.95 ... +40 bar  
Ambient temperature:  
-20 ... +150 °C  
Operating medium:  
Compressed air in accordance with  
ISO 8573-1:2010 [7:--:-]

Material:  
Nickel-plated brass

Note on material:  
Conforms to RoHS



Dimensions and ordering data													
Connection		D3	D4	D5	L1	L2	H1	H2	≈C	Weight/piece	Part No.	Type	PU <sup>1)</sup>
D1	D2	∅	∅	∅						[g]			
R <sup>1</sup> / <sub>8</sub>	G <sup>1</sup> / <sub>8</sub>	5.5	8.7	13	29	8	32	8	13	22	547740	NPFB-Y-R18-2G18-MFF	10
R <sup>1</sup> / <sub>4</sub>	G <sup>1</sup> / <sub>4</sub>	8	11.6	17	36	11	38	11	17	38	547741	NPFB-Y-R14-2G14-MFF	10
R <sup>3</sup> / <sub>8</sub>	G <sup>3</sup> / <sub>8</sub>	11	15	21	41	11.5	42.5	11.5	20	52	547742	NPFB-Y-R38-2G38-MFF	10
R <sup>1</sup> / <sub>2</sub>	G <sup>1</sup> / <sub>2</sub>	15	19	26	52.5	14	53	14	25	110	547743	NPFB-Y-R12-2G12-MFF	10

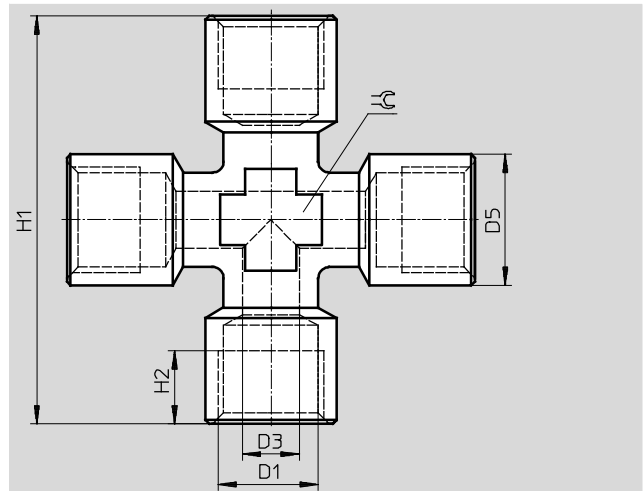
1) Packaging unit quantity

## X-fitting NPFB-X

Operating pressure:  
-0.95 ... +40 bar  
Ambient temperature:  
-20 ... +150 °C  
Operating medium:  
Compressed air in accordance with  
ISO 8573-1:2010 [7:--:-]

Material:  
Nickel-plated brass

Note on material:  
Conforms to RoHS



Dimensions and ordering data										
Connection		D3	D5	H1	H2	≈C	Weight/piece	Part No.	Type	PU <sup>1)</sup>
D1		∅	∅				[g]			
G <sup>1</sup> / <sub>8</sub>		6	13	46	7	13	60	547779	NPFB-X-4G18-F	10
G <sup>1</sup> / <sub>4</sub>		9	17	51	8	13	73	547780	NPFB-X-4G14-F	10
G <sup>3</sup> / <sub>8</sub>		10	20.5	58	10	17	118	547781	NPFB-X-4G38-F	10
G <sup>1</sup> / <sub>2</sub>		15	26.2	67	14	21	186	547782	NPFB-X-4G12-F	10

1) Packaging unit quantity

# Threaded fittings NPFB

Technical data



## X-fitting NPFB-X

Operating pressure:

-0.95 ... +40 bar

Ambient temperature:

-20 ... +150 °C

Operating medium:

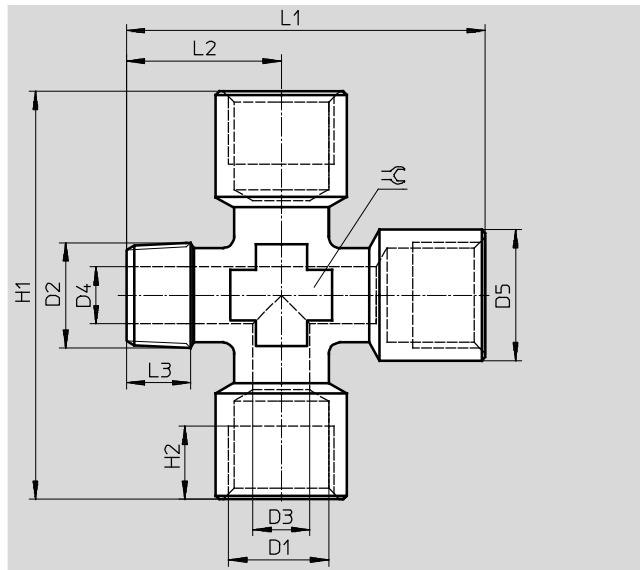
Compressed air in accordance with  
ISO 8573-1:2010 [7:--:--]

Material:

Nickel-plated brass

Note on material:

Conforms to RoHS



Dimensions and ordering data														
Connection		D3	D4	D5	L1	L2	L3	H1	H2	⊖	Weight/piece	Part No.	Type	PU <sup>1)</sup>
D1	D2	∅	∅	∅							[g]			
G <sup>1</sup> / <sub>8</sub>	R <sup>1</sup> / <sub>8</sub>	6	6	13	46	23	8	46	7	13	52	547783	NPFB-X-R18-3G18-MFFF	10
G <sup>1</sup> / <sub>4</sub>	R <sup>1</sup> / <sub>4</sub>	9	8	17	49.5	24	12.5	51	8	13	67	547784	NPFB-X-R14-3G14-MFFF	10
G <sup>3</sup> / <sub>8</sub>	R <sup>3</sup> / <sub>8</sub>	10	11	20.5	55.5	26.5	13.6	58	10	17	100	547785	NPFB-X-R38-3G38-MFFF	10
G <sup>1</sup> / <sub>2</sub>	R <sup>1</sup> / <sub>2</sub>	15	15	26.2	64.5	31	14.0	67	14	21	168	547786	NPFB-X-R12-3G12-MFFF	10

1) Packaging unit quantity