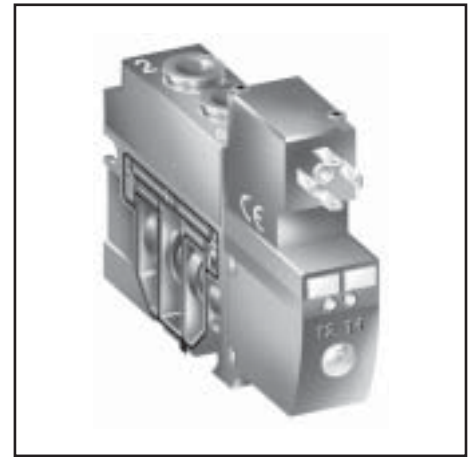


**GENERAL**

- Space saving due to new patented design and integral twin pilot.
- High flow rate, reduced dimensions.
- Low power consumption.
- Quick installation and easy maintenance with visual indication of the spool position, identification and reference labels as well as manual override.
- Low weight for block installation.

**SPECIFICATIONS**

FLUIDS : Air or neutral gas, filtered at 30µm, lubricated or not  
 OPERATING PRESSURE : -0.95 to 8 bar (with external supply)  
 : 3 to 8 bar (with internal supply)  
 ALLOWABLE TEMPERATURE : -10°C to +50°C  
 CONNECTION  
 - Spool valve (ports 2 - 4) : instant fittings for flexible hose 6 or 8 mm O.D.  
 - End covers (ports 1 - 3 - 5) : G1/4 thread or instant fittings 10 mm O.D.  
 FLOW (Qv at 6 bar) : see table below  
 FUNCTION : 2x3/2 NC, monostable or bistable 5/2, 5/3  
 PILOT CONTROL : solenoid air operated with internal or external pressure supply  
 PILOT PRESSURE : 2 or 3 bar to 8 bar (see table below)  
 VIBRATION FATIGUE LIMIT : to EN 60068-2-6 standard



**CONSTRUCTION**

Body and end covers: glass-fibre reinforced synthetic material.  
 Internal parts: aluminium, stainless steel, zinc-plated steel, brass and synthetic material.  
 Sealings: nitrile (NBR) and PUR.  
 Internal or external pilot pressure supply by selecting seal  
 Impulse-type or locking push/turn-type manual override.

Integral electrical pilot to NFC79300 (VDE 0580).  
 Encapsulated coil with flat terminals to DIN 46244 A 2.8 x 0.5 (centre distance: 9.4 mm).  
 The bistable version is provided with an integral twin pilot placed on one side of the valve with a single electrical connector for reduced dimensions.

**ELECTRICAL CHARACTERISTICS**

Voltage (*)	Insulation class	Protection degree	Spool valve	Consumption	Electrical connection
24 V DC	F	IP 65	monostable	1.6 W	2 flat terminals + earth
			bistable	1.5 W	3 flat terminals + earth

(\*) Monostable AC version: available

**CHOICE OF EQUIPMENT**

Type	Functions Symbols	Operators		Flow at 6 bar (l/min) (ANR)	Pilot pressure (bar)	(M)	CODES (24 V DC) (*)	
		Pilot (14)	Return (12)				Spool valve without connector ports 2-4 with instant fittings 6mm O.D.	8mm O.D.
K	2x3/2 NC	Solenoid air	Spring	450	4...8	▼	578 00 041	578 00 013
							●	578 00 042
S	5/2	Solenoid air	Spring	900 (550)	3...8	▼	578 00 030	578 00 002
							●	578 00 036
M	5/2	Solenoid air	Differential	900 (550)	3...8	▼	578 00 031	578 00 003
							●	578 00 037
J	5/2	Solenoid air	Solenoid air	900 (550)	2...8	▼	578 00 029	578 00 001
							●	578 00 035
G	5/3	Centre closed W1 solenoid air operated		600 (550)	3...8	▼	578 00 032	578 00 004
		●	578 00 038				578 00 010	
B	5/3	Centre open to pressure W2 solenoid air operated		700 (550)	3...8	▼	578 00 033	578 00 005
		●	578 00 039				578 00 011	
E	5/3	Centre open to exhaust W3 solenoid air operated		750 (550)	3...8	▼	578 00 034	578 00 006
		●	578 00 040				578 00 012	

(M) Manual override ▼ : impulse-type ● : locking, push/turn-type  
 (550) : Max. flow rate of 550l/min for the version with instant fittings for flexible hose O.D. 6mm.

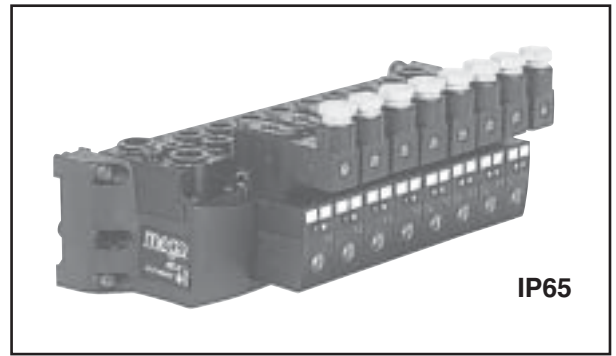
(\*) Connector size 15 to be supply separately see page P575-12

**ACCESSORIES FOR ISLAND ASSEMBLY** see following page

# MEGA ISLAND with electrical connection with connectors size 15 - IP65

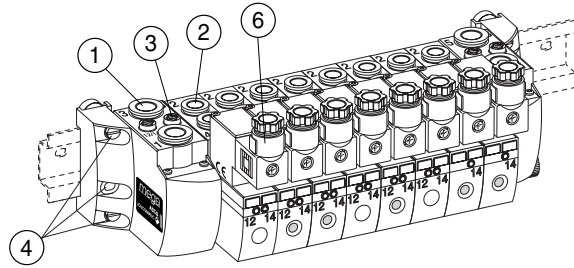
## COMBINATIONS

- Modules with up to 16 MEGA spool valves (22 spool valves on request) for frame or DIN EN50022 rail mounting can be grouped together.
- Optional mixing of:
  - all spool valve functions,
  - 6 or 8 mm O.D. instant fittings.
  - Different types of manual override: impulse-type or locking push/turn-type.
  - Internal and external pilot pressure supply.
  - Pressure separation plate and intermediate pressure supply module.
- Electrical connection by IP65 size 15 connectors for direct installation inside machinery. Simplified wiring option using IP20 connector for cabinet mounting (see P516 and P575-11)



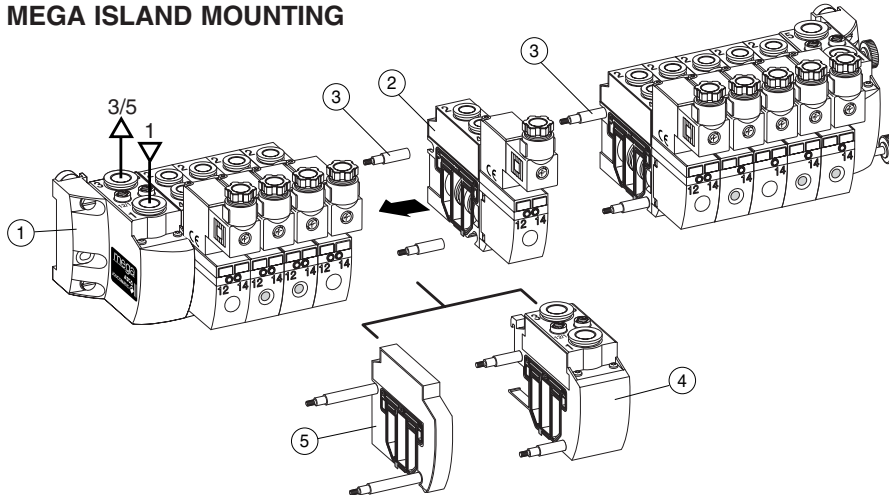
IP65

## CONNECTION BY IP65 CONNECTORS



- ① Ports 1 - 3/5 : with instant fittings for flexible hose O.D. 10 mm or G1/4 thread
- ② Ports 2 - 4 : with instant fittings for flexible hose O.D. 6 or 8 mm
- ③ Ports 12/14 - 82/84 : with instant fittings for flexible hose O.D. 4 mm or ØM5 thread
- ④ Frame (2 Ø4.2) or DIN rail mounting
- ⑤ Connectors size 15 - IP65 with CM6 (Pg7P) cable gland or with cable ends (2 or 5 m long)

## MEGA ISLAND MOUNTING



- ① Set of 2 end covers :
  - assembling the island with connecting bolts ③
  - mounting of the island :
    - on machine frame or rack (2x4,2 dia.)
    - on symmetrical DIN rail to EN 50022
  - island common data connection (1) and (3/5)
- ② Matching spool valve supplied with two assembly bolts ③
- ④ Intermediate pressure supply module
- ⑤ Pressure separation plate

## ACCESSORIES OF MOUNTING

Accessorie	Description	Type	CODE
	1 set of 2 end covers for islands for <b>frame</b> mounting	Instant fittings for 10mm O.D. hose	<b>Q 881 57 901</b>
		G1/4 thread	<b>G 881 57 903</b>
	1 set of 2 end covers for islands for <b>DIN rail</b> mounting	Instant fittings for 10mm O.D. hose	<b>Q 881 57 859</b>
		G1/4 thread	<b>G 881 57 861</b>

Other accessories, including separation plate and intermediate pressure plate, see pages P575-9 and 10  
 IP65 size 15 connectors are to be ordered separately, see page P575-12

## CAN BE SUPPLIED AS APRE-ASSEMBLED ISLAND

Generate complete reference number, see page P575-13

**DIMENSIONS AND WEIGHTS** see page P575-14